


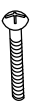

# ASSEMBLY INSTRUCTIONS

**MODEL : 0268A  
NIGHT STAND**

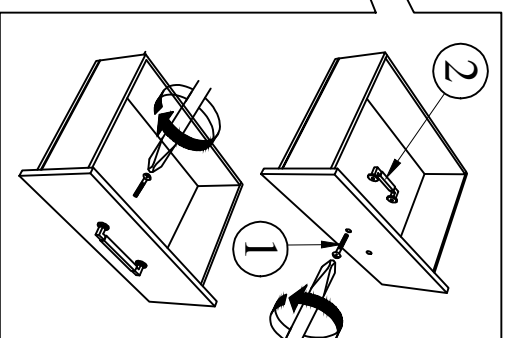
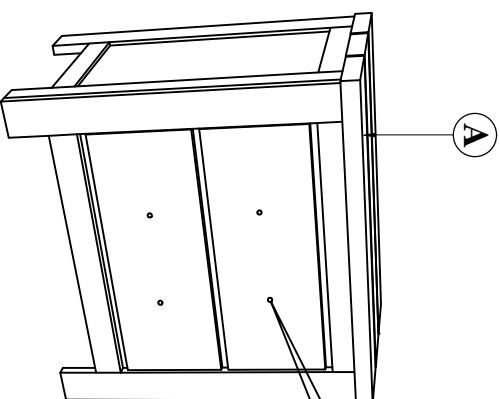
**(BOX 1)**  
BOX OF NIGHT STAND

NO	ITEM	QTY
	NIGHT STAND	
A		1 pc

**(BOX 1)**  
HARDWARE LIST

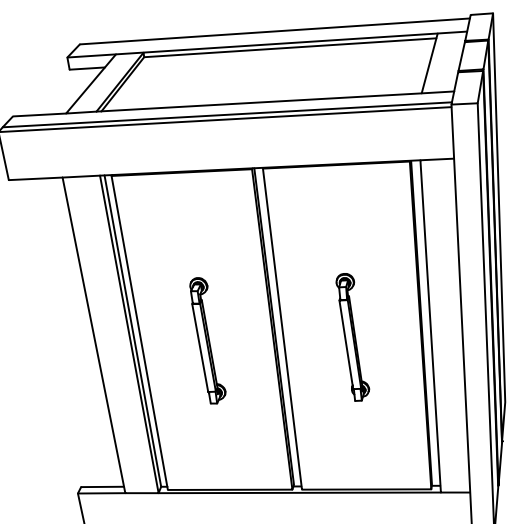
NO	ITEM	QTY
1	Truss Head Machine Screw m4x50mm Bk 	4 pcs
2	YHG0113L Handle L232mmxW30mm CC224mm Antique Silver (With Thread 8mm) 	2 pcs

**STEP 1 :** Remove HANDLE ( 2 ) using a Phillips head screw driver as shown in illustration STEP - A. Re-install the HANDLE ( 2 ) as per diagram STEP - B. Repeat STEP - A  
STEP - B until HANDLE ( 2 ) are attached correctly.



STEP - A

STEP - B



**COMPLETED ASSEMBLY**

NOTE : MUST TIGHTEN SCREWS PERIODICALLY WITH USE SCREW WILL BECOME LOOSE CHECK TIGHTNESS OF ALL SCREW EVERY 6-8 WEEKS.