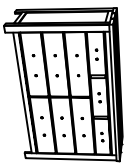


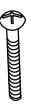


ASSEMBLY INSTRUCTIONS

**MODEL : 0268A
DRESSER**

**(BOX 1)
BOX OF DRESSER**

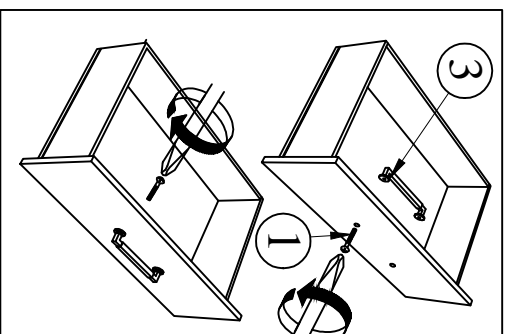
NO	ITEM	QTY
	DRESSER	
A		1 pc

**(BOX 1)
HARDWARE LIST**

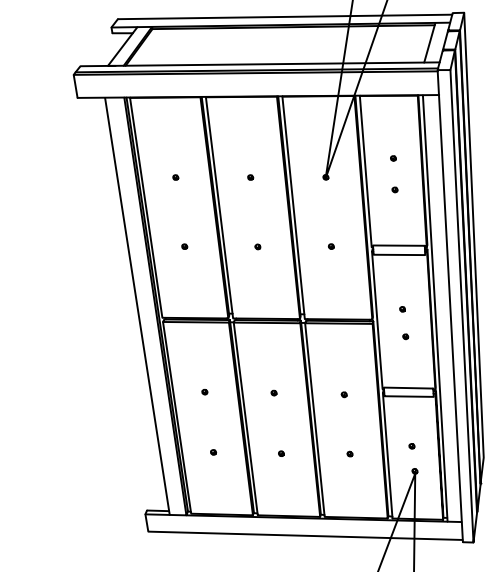
NO	ITEM	QTY
1	Truss Head Machine Screw M4x30mm BK 	18 pcs
2	YHG01 13S Handle L105mmxW30mm CC96mm Antique Silver (With Thread 8mm) 	3 pcs
3	YHG01 13L Handle L232mmxW30mm CC224mm Antique Silver (With Thread 8mm) 	6 pcs

STEP 1 : Remove HANDLE (2) using a Phillips head screw driver as shown in illustration STEP - A. Re-install the HANDLE (2) as per diagram STEP - B. Repeat STEP - A
STEP - B until HANDLE (2) are attached correctly.

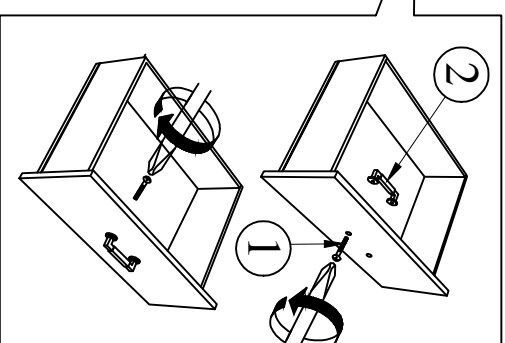
STEP - A



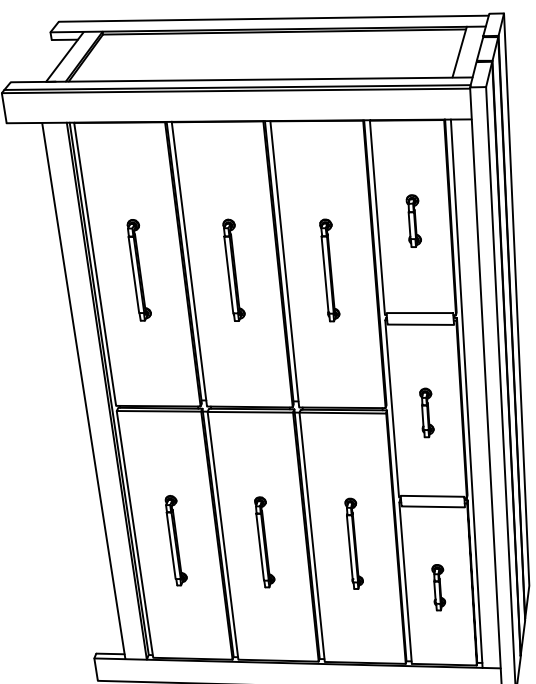
STEP - B



STEP - A



STEP - B



COMPLETED ASSEMBLY

NOTE : MUST TIGHTEN SCREWS PERIODICALLY WITH USE SCREW WILL BECOME LOOSE CHECK TIGHTNESS OF ALL SCREW EVERY 6-8 WEEKS.