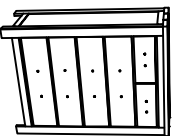





# ASSEMBLY INSTRUCTIONS

**MODEL : 0268A**  
**CHEST**

**(BOX 1)**  
**BOX OF CHEST**

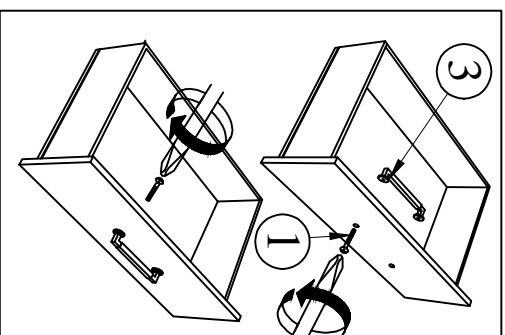
NO	ITEM	QTY
A	 CHEST	1 pc

**(BOX 1)**  
**HARDWARE LIST**

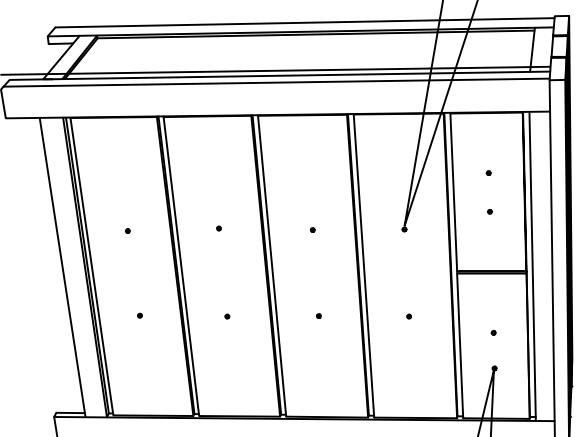
NO	ITEM	QTY
1	Truss Head Machine Screw m4x50mm Bk 	12 pcs
2	YHG01 13S Handle L105mmxW30mm CC96mm Antique Silver (With Thread 8mm) 	2 pcs
3	YHG01 13L Handle L232mmxW30mm CC224mm Antique Silver (With Thread 8mm) 	4 pcs

**STEP 1 :** Remove HANDLE ( 2 ) using a Philips head screw driver as shown in illustration STEP - A. Re-install the HANDLE ( 2 ) as per diagram STEP - B. Repeat STEP - A  
STEP - B until HANDLE ( 2 ) are attached correctly.

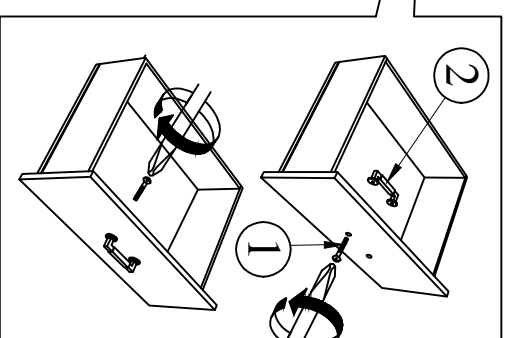
**STEP - A**



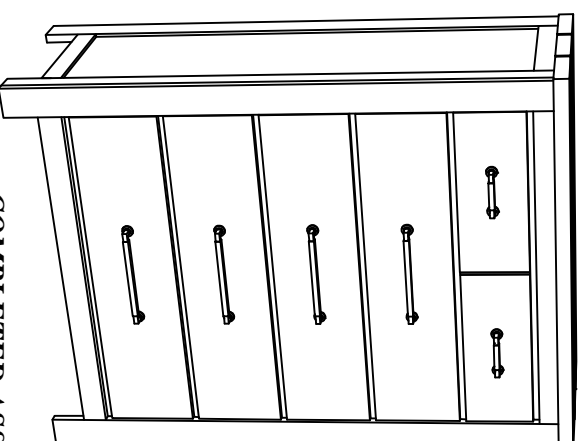
**STEP - B**



**STEP - A**



**STEP - B**



**COMPLETED ASSEMBLY**

NOTE : MUST TIGHTEN SCREWS **PERIODICALLY** WITH USE SCREW WILL BECOME LOOSE CHECK TIGHTNESS OF ALL SCREW EVERY 6-8 WEEKS.