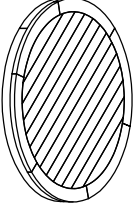
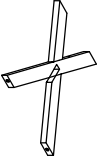
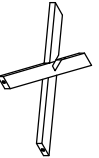
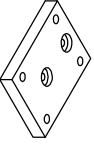
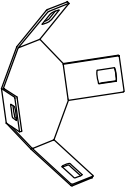

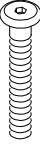
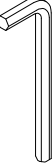
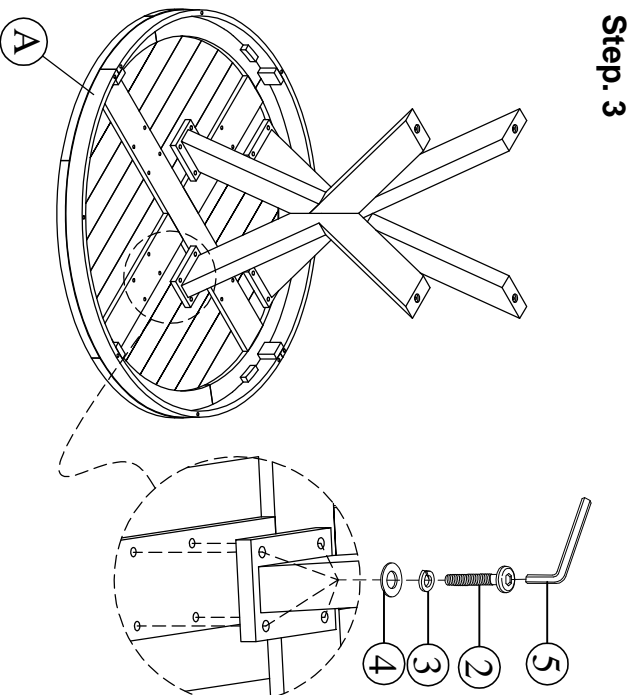
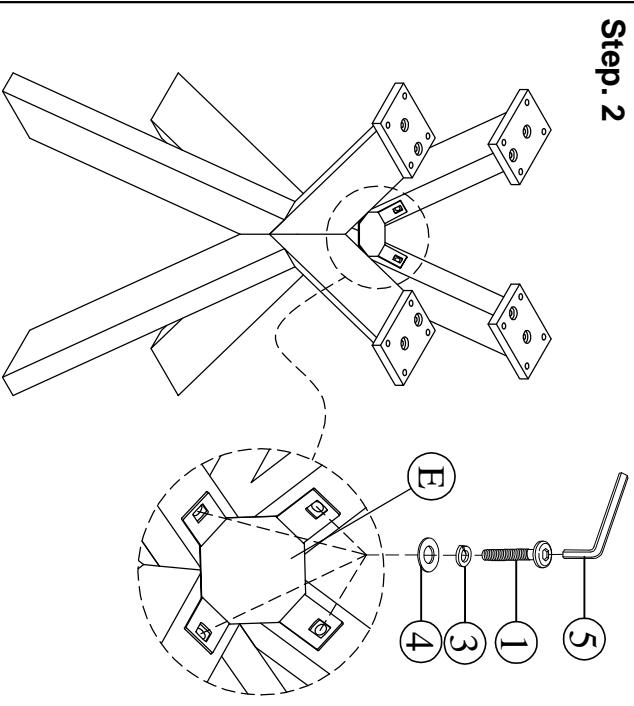
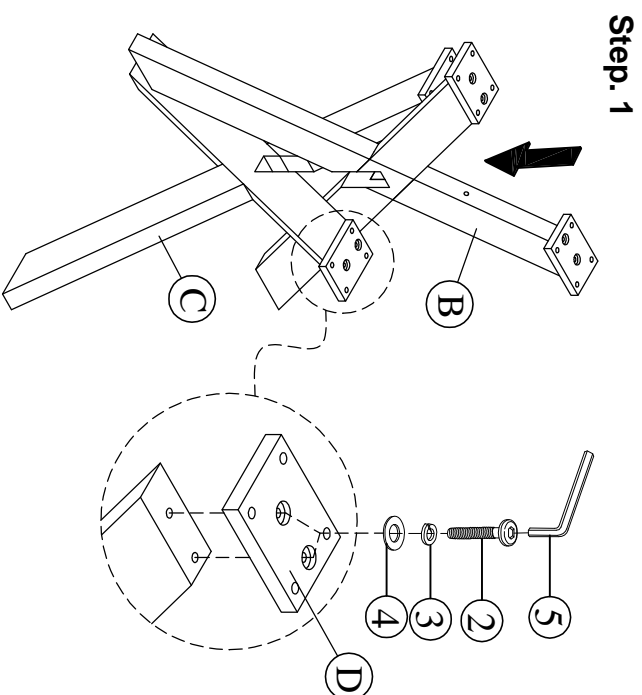


ASSEMBLY INSTRUCTIONS

Group Name: Market
 Description: Round Counter Table
 Item No.: TN-402-RCT

LIST OF PARTS

A. Table top 		1pc	
B. Upper Leg 	C. Below Leg 	1pc	
D. Mounting plate 	E. Metal stretcher 	4pcs	
HARDWARE LIST			
1. Short bolt 	2. Long bolt 		
3. Spring washer 5/16" x 20mm(4 pcs)	4. Flat washer 5/16" x 40mm(24 pcs)		
5. Allen key 5/16" (28 pcs)			
		4mm(1 pc)	



Completed

