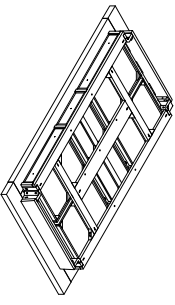
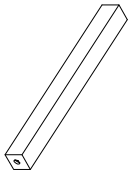
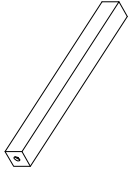
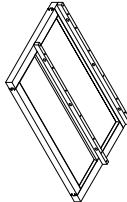
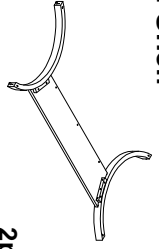
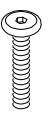
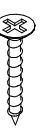







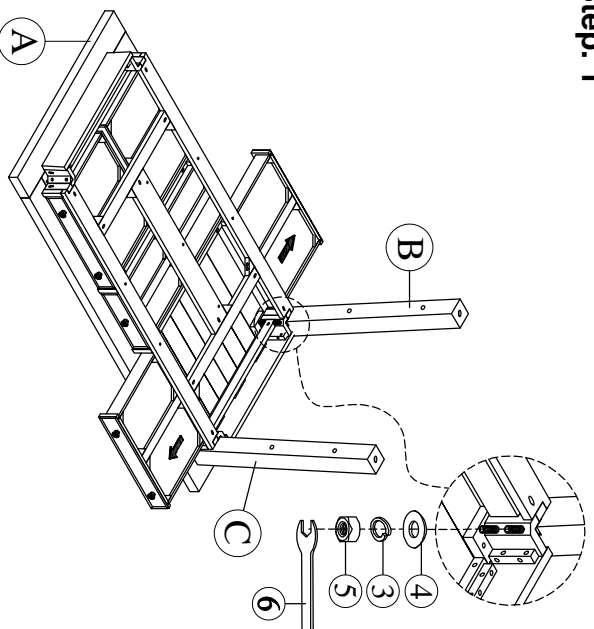
# ASSEMBLY INSTRUCTIONS

Group Name: Market  
 Description: Counter Table  
 Item No: TN-402-T

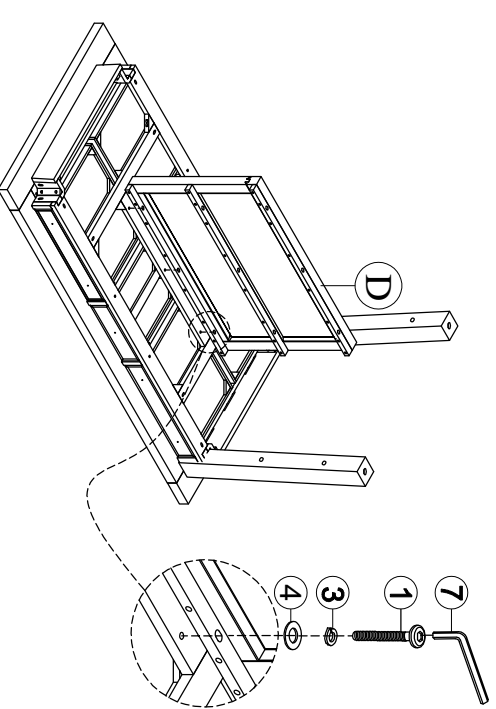
## LIST OF PARTS

<b>A. Table top</b> 		1pc	
<b>B. Left leg</b> 	<b>C. Right leg</b> 	2PCS	
<b>D. Center panel</b> 	<b>E. Shelf</b> 	2PCS	
<b>HARDWARE LIST</b>			
<b>1. Bolt</b> 	<b>2. Screws</b> 		
5/16" x 35mm (9 pcs)	#4 x 45mm (8 pcs)		
<b>3. Spring washer</b> 	<b>4. Flat washer</b> 		
5/16" (17 pcs)	5/16" (17 pcs)		
<b>5. Nut 5/16"</b> 	<b>6. Spanner</b> 		
(8 pcs)	(1 pc)		
<b>7. Allen key</b> 		4mm (1 pc)	

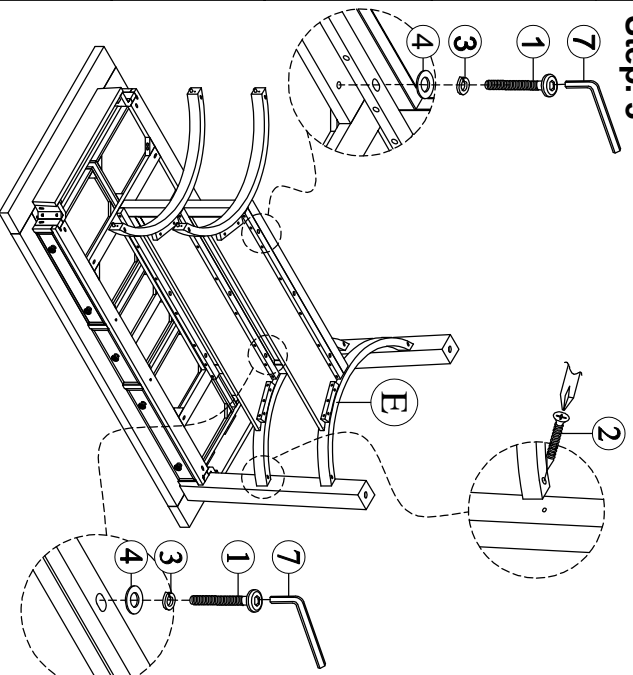
Step. 1



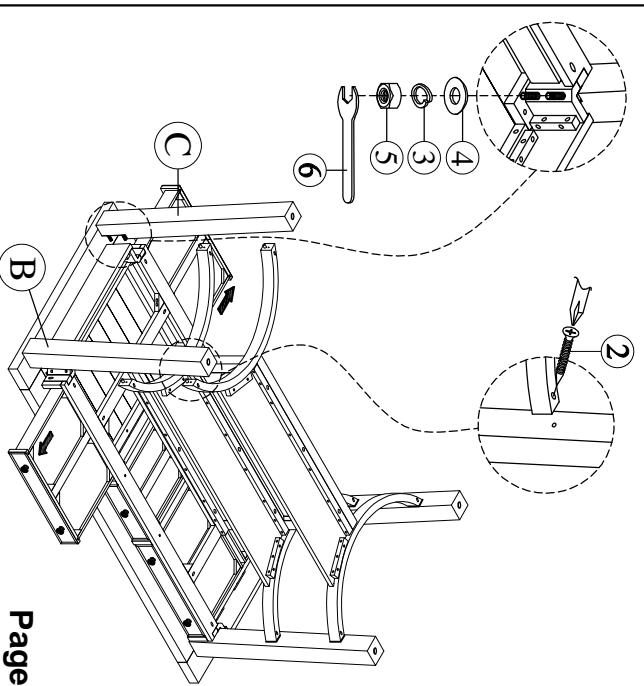
Step. 2



Step. 3



Step. 4



# ASSEMBLY INSTRUCTIONS

Group Name: Market  
Description: Counter Table  
Item No: TN-402-T

Completed

