





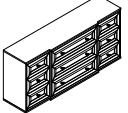
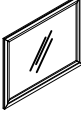

ASSEMBLY INSTRUCTIONS FOR

2101 MR - MIRROR

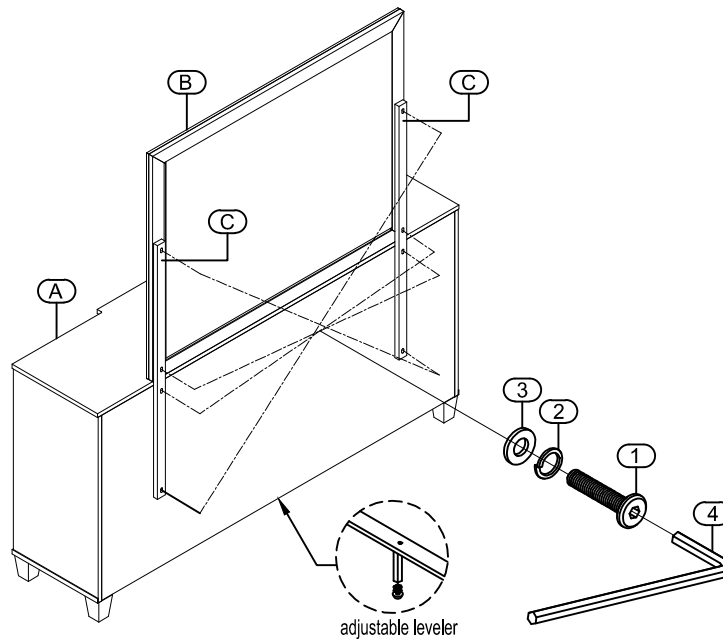
HARDWARE LIST OF MIRRORED NIGHTSTAND

NO.	SKETCH	COMPONENT	Q'TY
1		Bolt Ø1/4"*38mm	8pcs
2		Spring Washer Ø1/4"*10mm	8pcs
3		Flat Washer Ø1/4"*19mm	8pcs
4		Allen Wrench 4mm	1pc

PART LISTS

NO.	DESCRIPTION	PICTURE	QTY
A	9 DRAWER DRESSER		1pc
B	MIRROR		1pc
C	Mirror Support		2pcs

STEP 1



COMPLETE

