


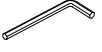



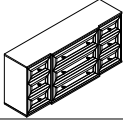


# ASSEMBLY INSTRUCTIONS FOR

## 2101 DR - 9 DRAWER DRESSER

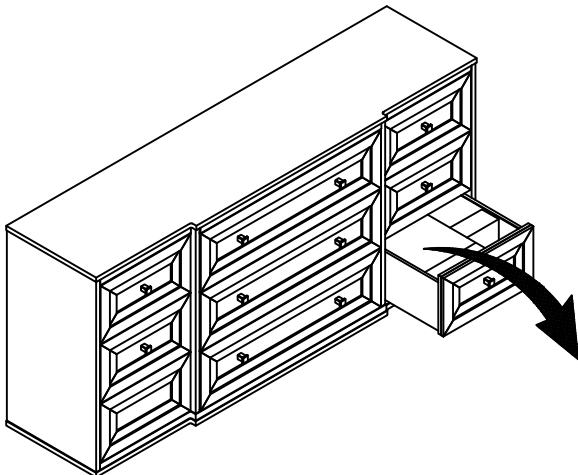
### HARDWARE LIST OF MIRRORED NIGHTSTAND

NO.	SKETCH	COMPONENT	Q'TY
1		Bolt Ø5/16**85mm	6pcs
2		Spring Washer Ø5/16**12mm	6pcs
3		Flat Washer Ø5/16**19mm	6pcs
4		Allen Wrench 4mm	1pc
5		Tipping restraint	1pc

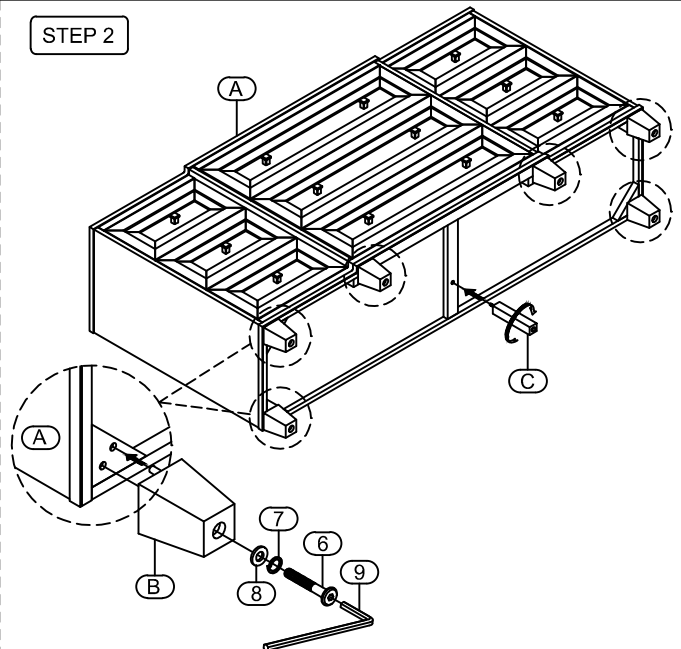
### PART LISTS

NO.	DESCRIPTION	PICTURE	QTY
A	9 DRAWER DRESSER		1pc
B	KD-Legs		6pcs
C	Center Legs		1pc

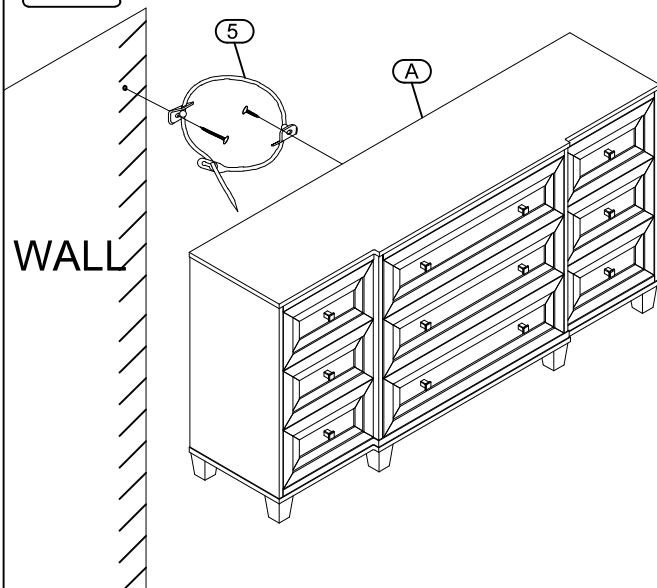
STEP 3



STEP 2



STEP 3



COMPLETE

