






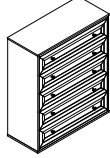

ASSEMBLY INSTRUCTIONS FOR

2101 CH - 5 DRAWER CHETS

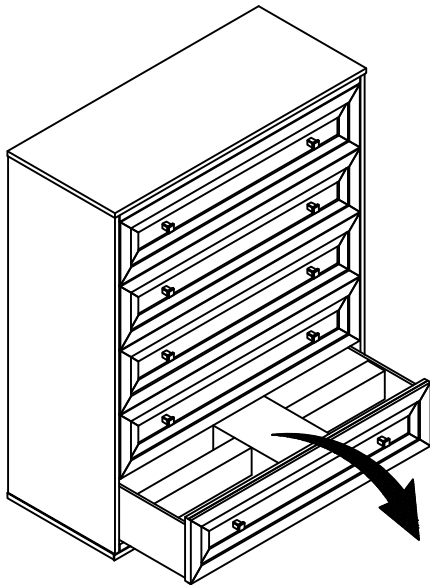
HARDWARE LIST OF MIRRORED NIGHTSTAND

NO.	SKETCH	COMPONENT	Q'TY
1		Bolt Ø5/16**85mm	4pcs
2		Spring Washer Ø5/16**12mm	4pcs
3		Flat Washer Ø5/16**19mm	4pcs
4		Allen Wrench 4mm	1pc
5		Tipping restraint	1pc

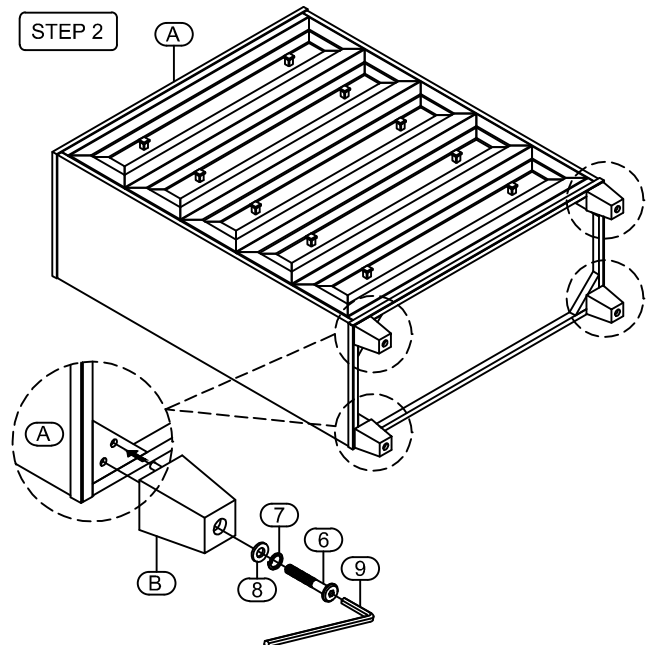
PART LISTS

NO.	DESCRIPTION	PICTURE	QTY
A	7 DRAWER CHETS		1pc
B	KD-Legs		4pcs

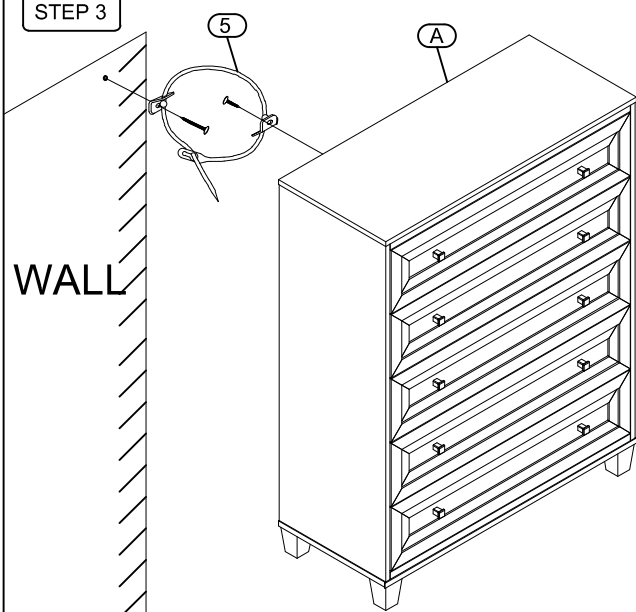
STEP 3



STEP 2



STEP 3



COMPLETE

