

# B HOME ASSEMBLY INSTRUCTION

## MODEL: 24" LEXI BARSTOOL

Thank you for purchasing this products. This product has been designed for easy assembly and constructed for durability. Pleased takedtime to read and follow the assembly instructions.

### IMPORTANT NOTES :-

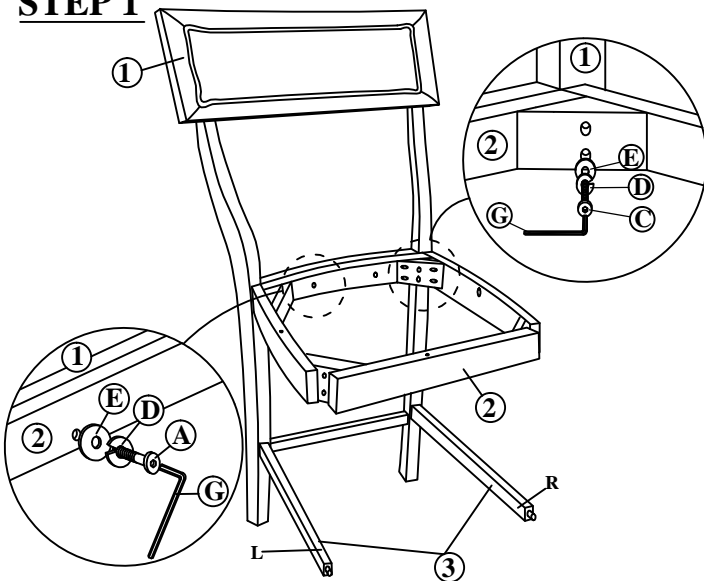
1. Please see the hardware & part list for guidance.
2. Please place all wooden parts on a clean and smooth surface such as rug or carpet to avoid the parts from being stretched.
3. Please check to ensure you have all parts and hardware's.
4. Do not tighten all screws / bolts until all completely assembled.

NO	PARTS LIST	QTY
1	CHAIR BACK	1PC
2	SEAT FRAME	1PC
3	SIDE STRETCHER L & R	2PCS
4	FRONT STRETCHER	1PC
5	FRONT LEGS L & R	2PCS
6	CUSHION SEAT	1PC

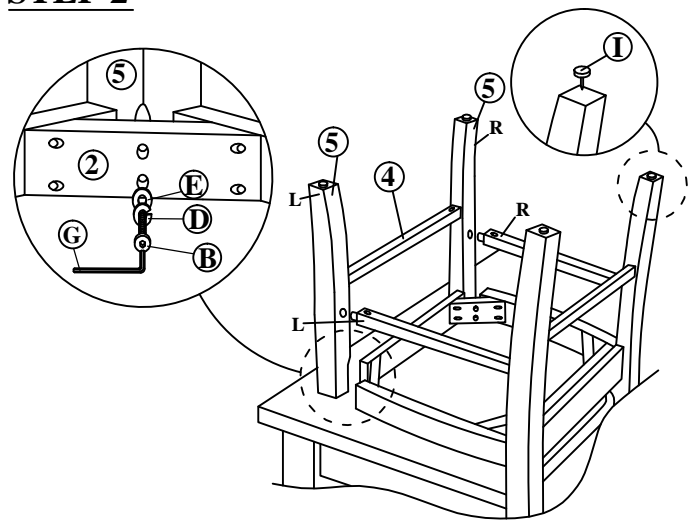
NO		HARDWARE LIST	QTY
A		JCBC BOLT M6 x 40mm	2PCS
B		JCBC BOLT M6 x 60mm	4PCS
C		JCBC BOLT M6 x 80mm	4PCS
D		SPRING WASHER 1/4 "	10PCS
E		FLAT WASHER 1/4 "x 19 x 2mm	10PCS
F		CSK SCREW M4 x 30mm	3PCS
G		M4 ALLEN KEY WITH BALL	1PC
H		CSK SCREW M4 x 38mm	6PCS
I		NAIL LEG	4PCS

NOTE: THE LIST QUANTITY SHOW ABOVE IS FOR 1 UNIT ASSEMBLY.

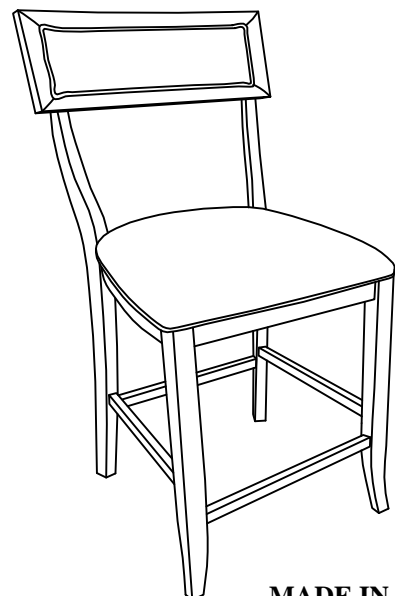
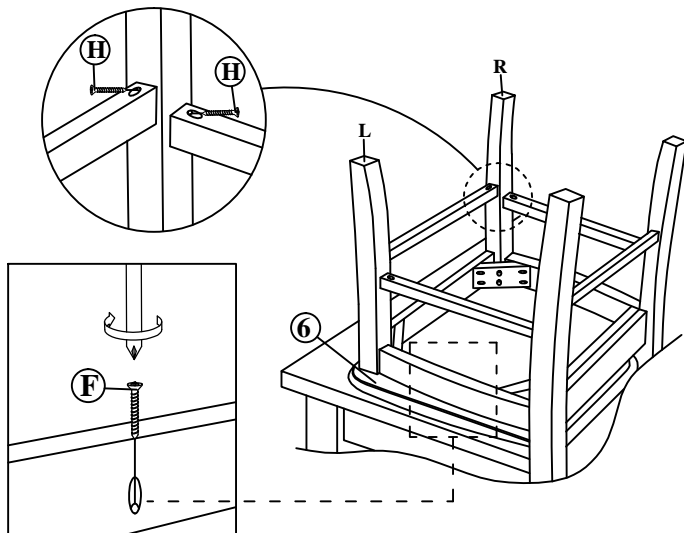
### STEP 1



### STEP 2



### STEP 3



MADE IN MALAYSIA