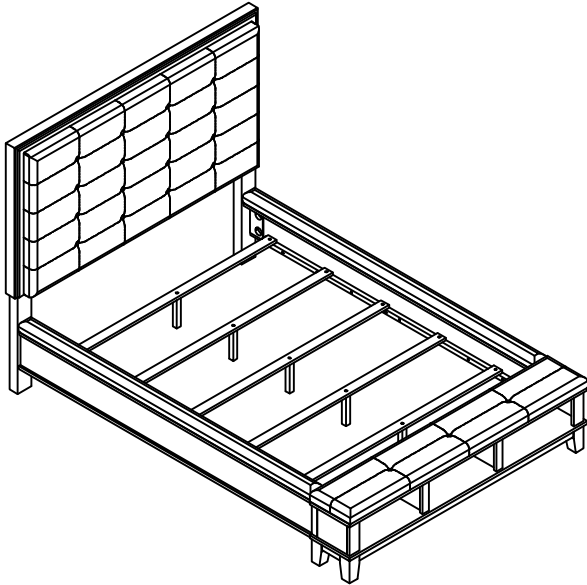


ASSEMBLY INSTRUCTIONS

ITEM #: B218- QHB
 B218- QFB
 B218- Q/KSR
 QUEEN BED

Caution: Please read instructions thoroughly before unpacking assembly parts. Sharp, exposed staple tips can cause injury, therefore, for your protection, please remove any exposed staple used in packing.

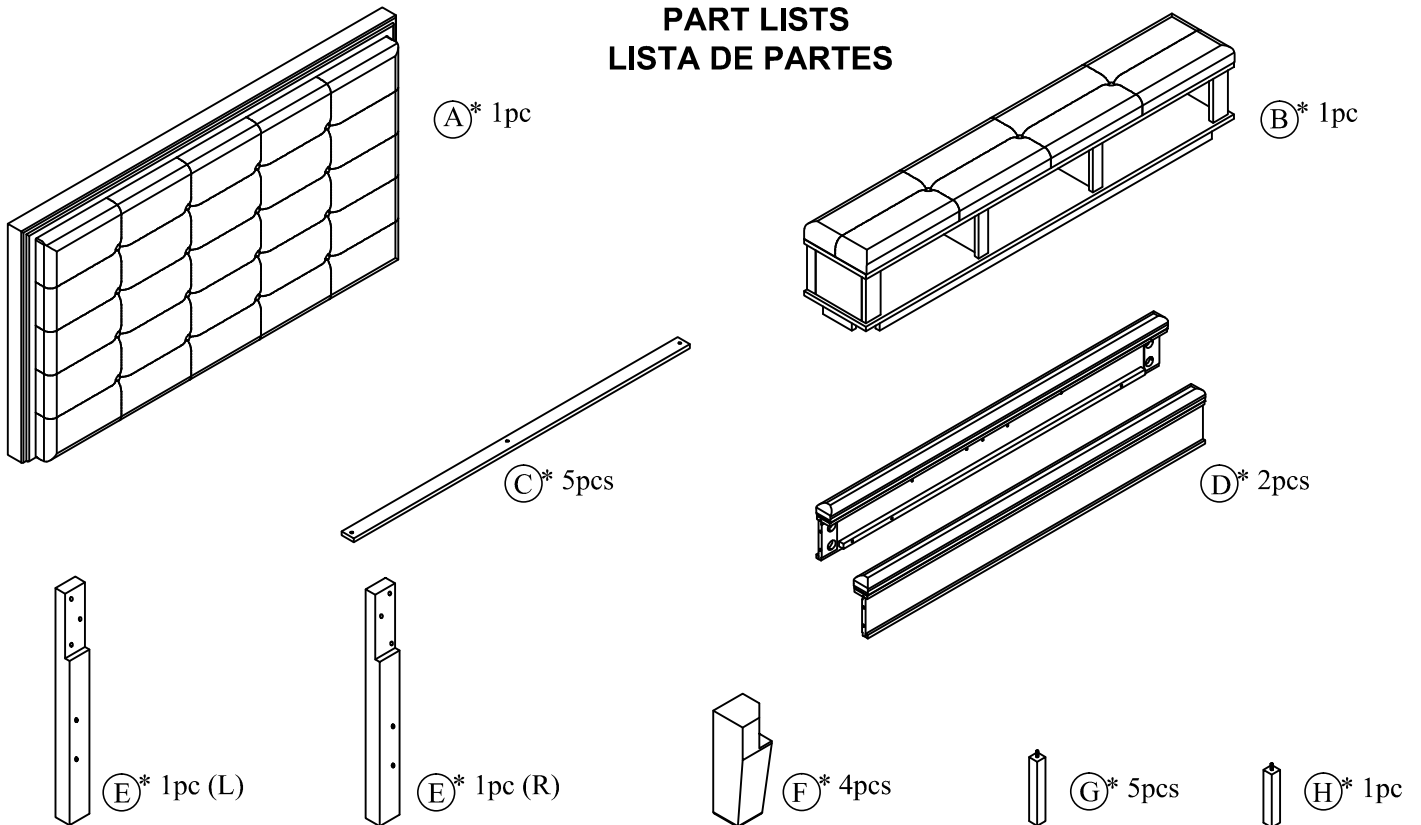
1. We recommend that you should assemble this product with the assistance of another person; this will make assembly easier, and will help to eliminate damage to the product or injury to persons during assembly.
2. Be sure to check all packing materials carefully for small parts that may have come loose inside the carton during shipment.
3. please do not over tighten screws or bolts.
4. Please put all parts on a non-abrasive floor before assembly, and follow the assembly steps to assemble your newly purchased product correctly and efficiently.



HARDWARE LISTS LISTA DE TORNILLO

NO.	DESCRIPTION	SKETCH	Q'TY
a	JCBC Bolt (5/16" *60mmL)		6PCS
b	JCBC Bolt (5/16" *50mmL)		8PCS
c	Spring Washer (Ø5/16" Dia)		14PCS
d	Flat Washer (Ø5/16" Dia)		14PCS
e	Allen Key (4mm)		1PC
f	Thread Bolt (Ø5/16"*90mm)		8PCS
g	Curved Washers (Ø5/16" Dia)		8PCS
h	Hex Nut (Ø5/16" Dia)		8PCS
i	Open Wrench (12mm)		1PC
k	Screw (Ø4*30mm)		10PCS

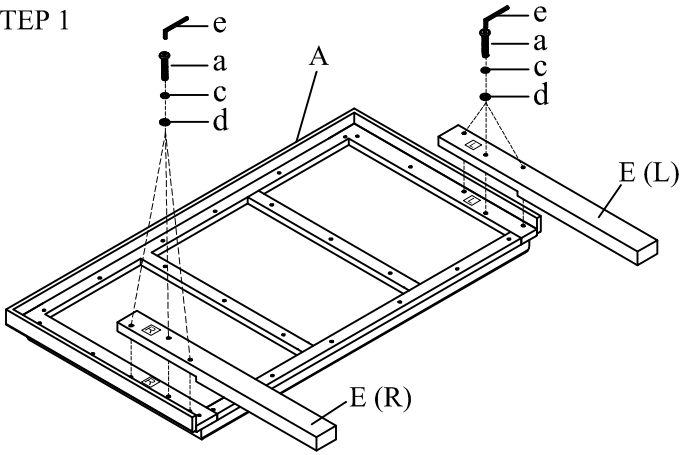
PART LISTS LISTA DE PARTES



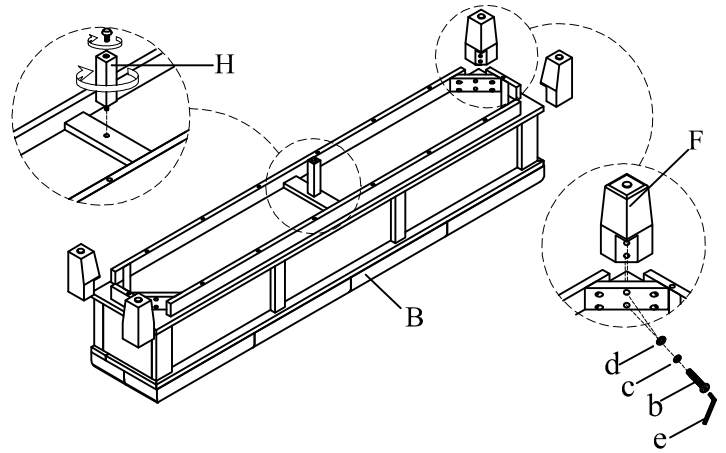
ASSEMBLY INSTRUCTIONS

ITEM #: B218- QHB
B218- QFB
B218- Q/KSR
QUEEN BED

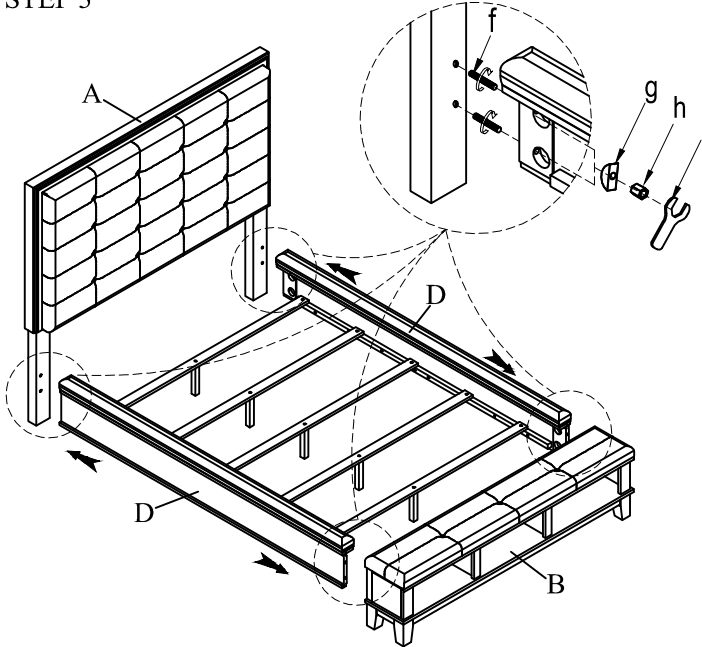
STEP 1



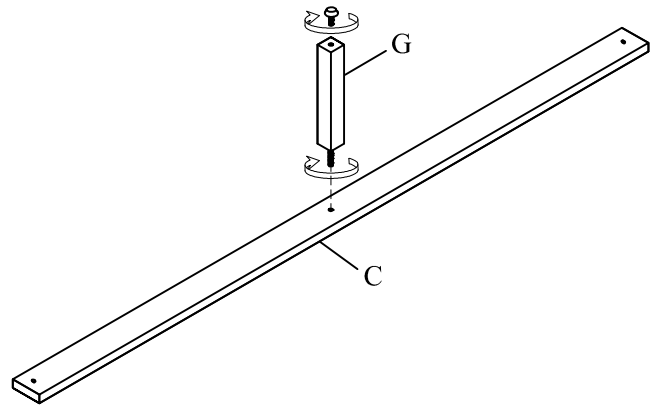
STEP 2



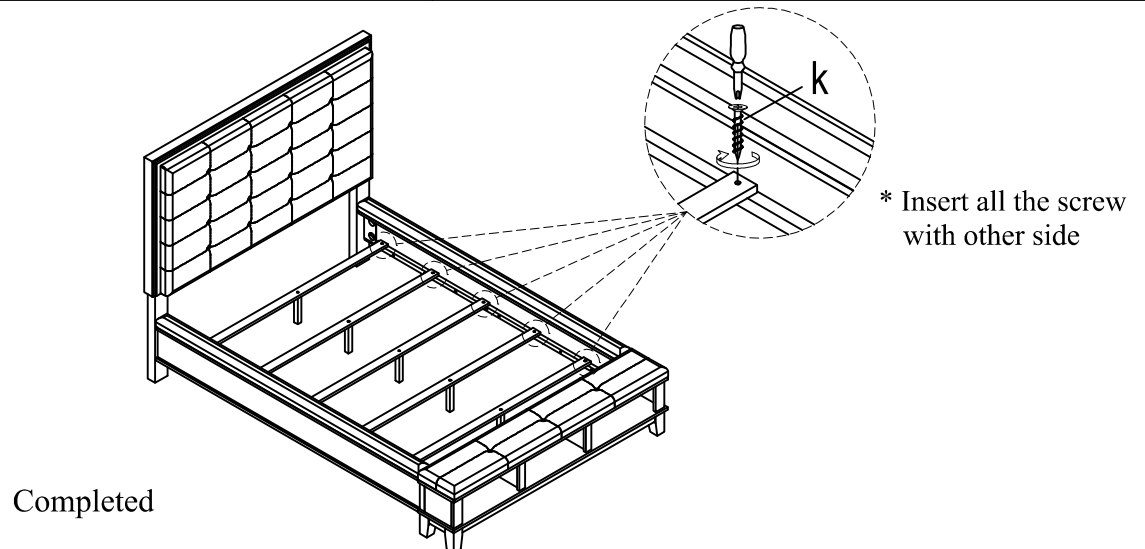
STEP 3



STEP 4



STEP 5



MADE IN VIETNAM

PAGE 2 OF 2