



# ASSEMBLY INSTRUCTION

MODEL : 9774 KENNDAL  
DESCRIPTION : DRESSER

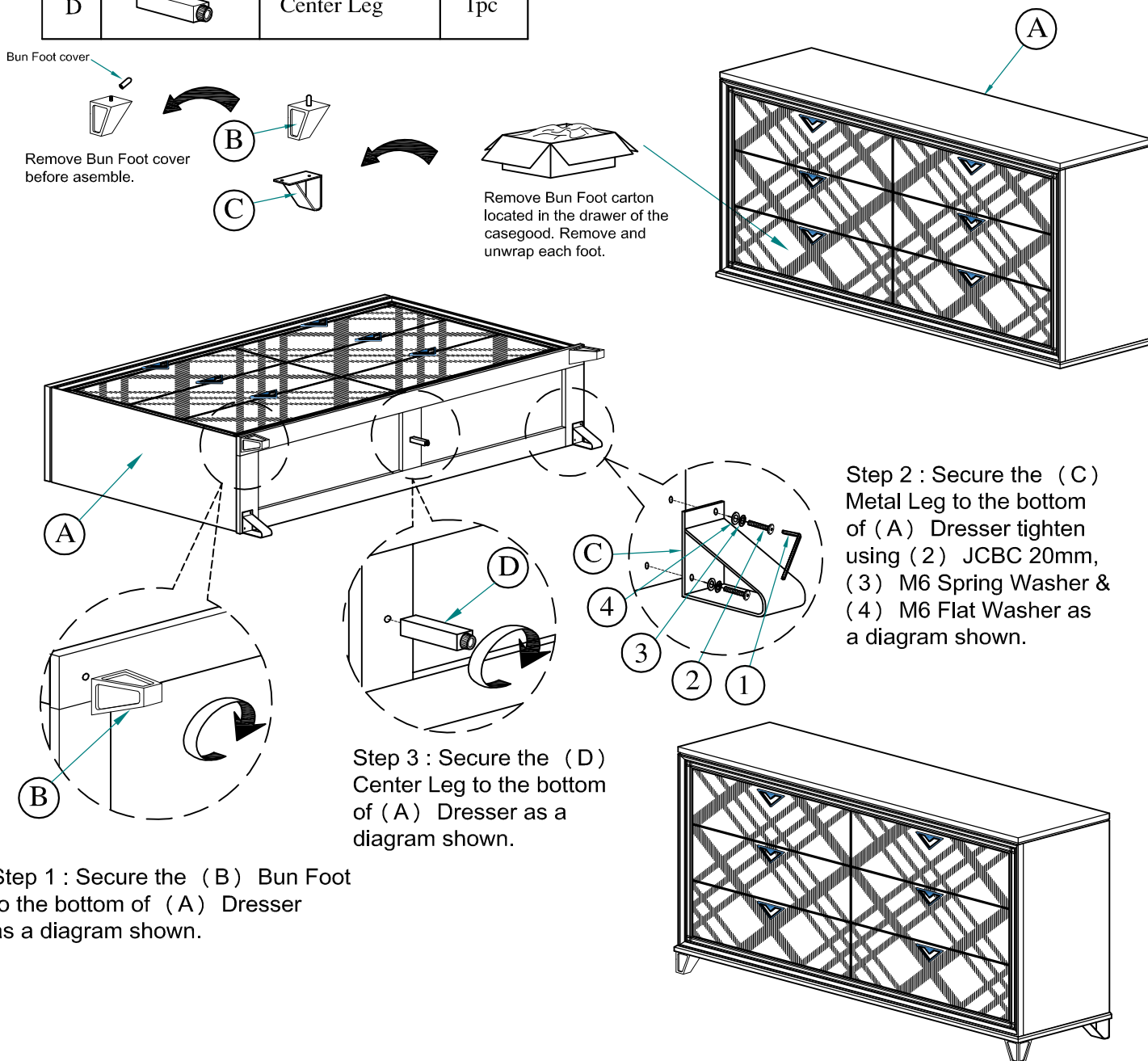
Thank you for purchasing this quality product. Be sure to check all packing material carefully for small parts which may have loose inside the carton during shipment. Identify and count all parts and compare with the parts list below.

### PART LIST#



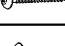
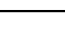
| NO | DRAWING | DESCRIPTION | QTY  |
|----|---------|-------------|------|
| A  |         | Dresser     | 1pc  |
| B  |         | Bun Foot    | 2pcs |
| C  |         | Metal Leg   | 2pcs |
| D  |         | Center Leg  | 1pc  |

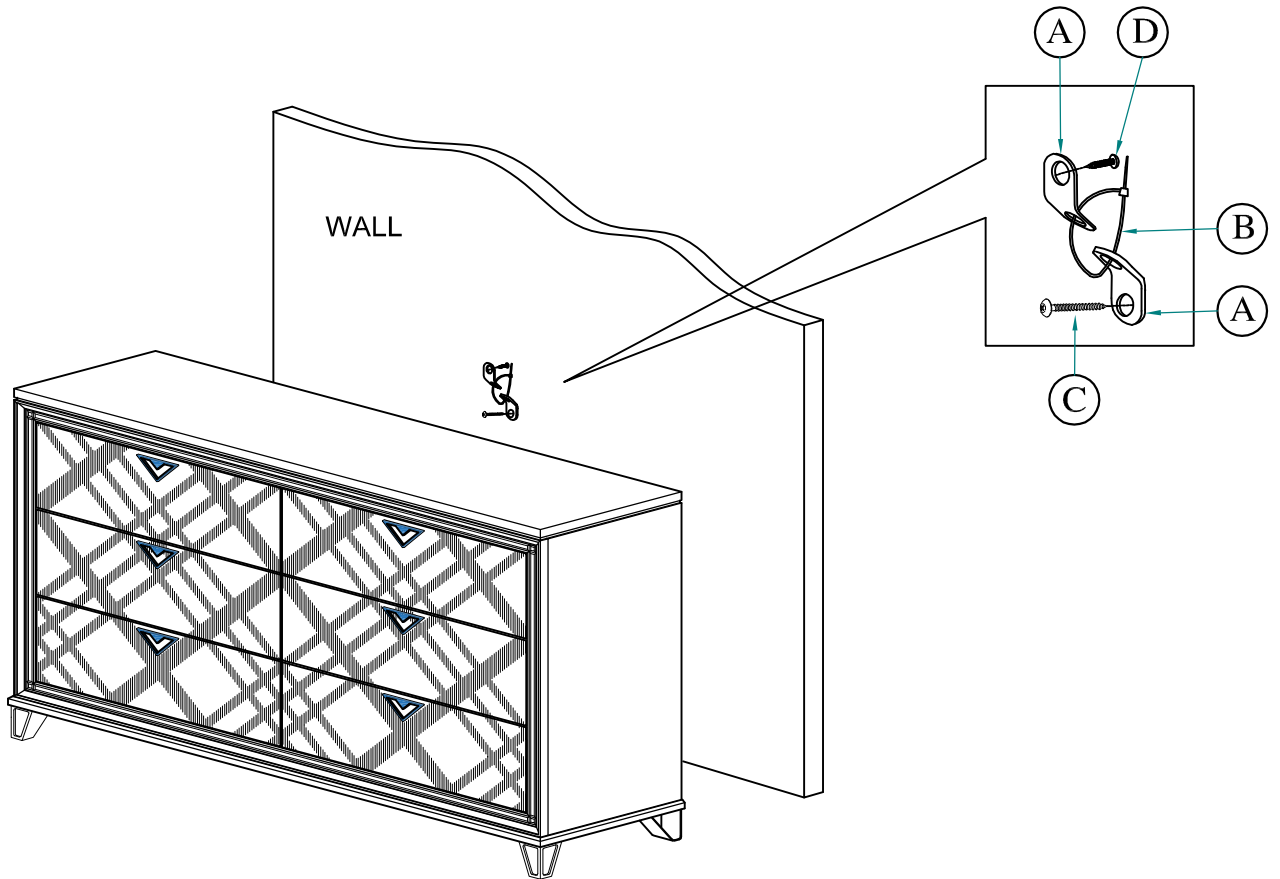
### HARDWARE LIST#

| NO | NAME             | PART | QTY  |
|----|------------------|------|------|
| 1  | Allen Key        |      | 1pc  |
| 2  | JCBC - M6 x 20mm |      | 4pcs |
| 3  | M6 Spring Washer |      | 4pcs |
| 4  | M6 Flat Washer   |      | 4pcs |



**HARDWARE LIST (ANTI TIPPING)**

| NO | NAME        | PART  | QTY  |
|----|-------------|---|------|
| A  | Bracket     |  | 2pcs |
| B  | Tie Wrap    |  | 1pc  |
| C  | Long Screw  |  | 1pc  |
| D  | Short Screw |  | 1pc  |



**Assembly completed**