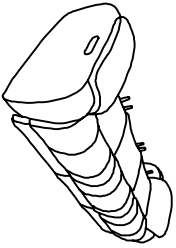

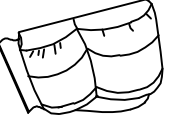
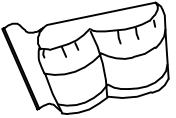
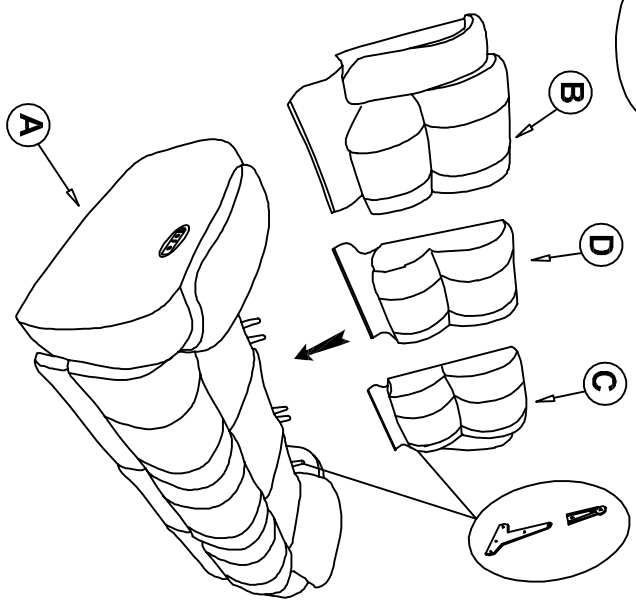


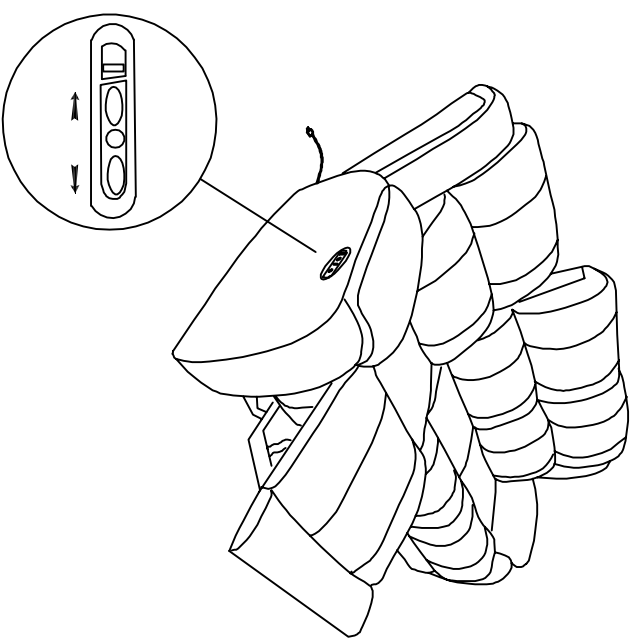
**ITEM : 6250-SP**  
PARTS LIST

NO	DESCRIPTION	PART	QTY
A	SEAT		1pc
B	LEFT BACK		1pc
C	RIGHT BACK		1pc
D	CENTER BACK		1pc

**STEP 1**



**STEP 2**



**FINISH**

