

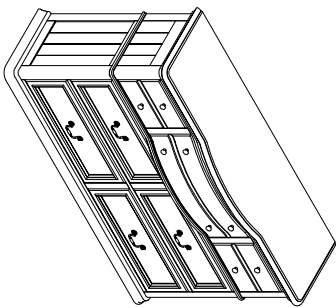
ASSEMBLY INSTRUCTIONS

Group Name: Johanna
 Description: Dresser
 Item No.: B021D

LIST OF PARTS

Step. 1

(A) Dresser



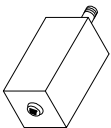
1pc

(B) Legs



4pcs

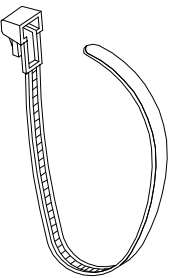
(C) Support Leg



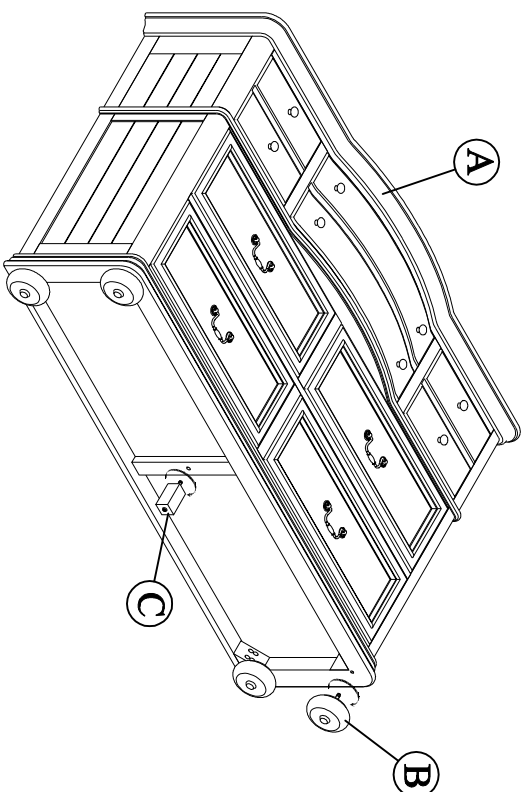
1pc

LIST OF HARDWARE

1. Anti - tip restraint



1pc



Completed

