

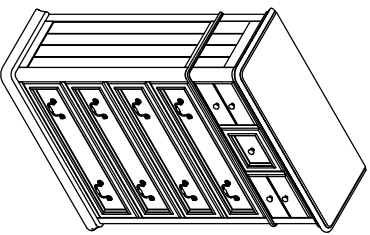
# ASSEMBLY INSTRUCTIONS

Group Name: Johanna  
Description: Chest  
Item No.: B021C

## LIST OF PARTS

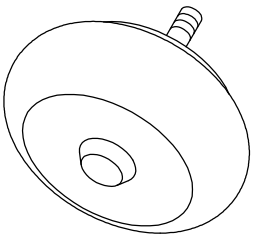
Step. 1

(A) Chest



1pc

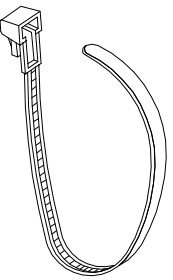
(B) Legs



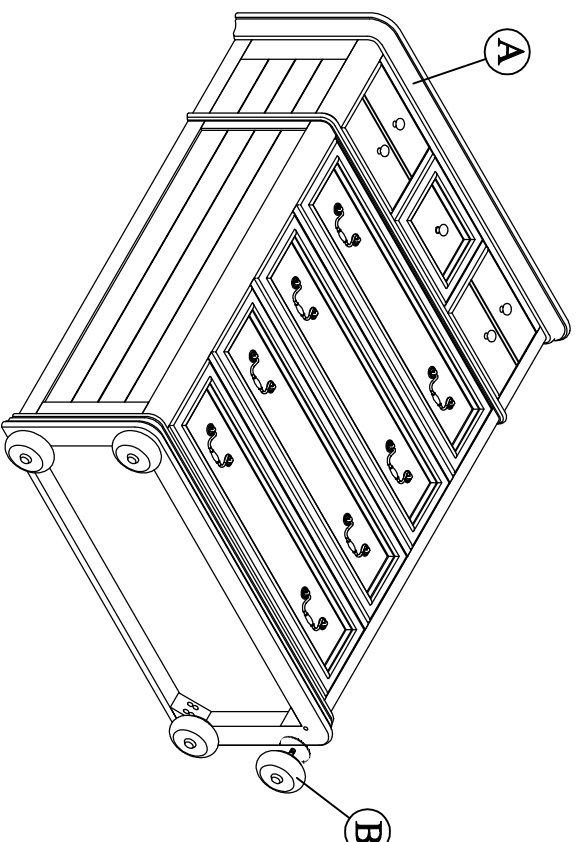
4pcs

## LIST OF HARDWARE

1. Anti - tip restraint



1pc



Completed

WALL

