

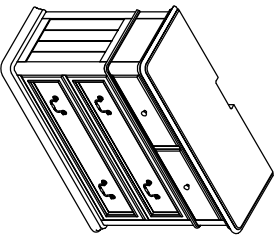
ASSEMBLY INSTRUCTIONS

Group Name: Johanna
Description: Armoire Base
Item No: B021AB

LIST OF PARTS

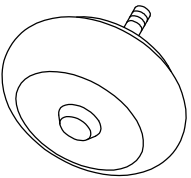
Step. 1

(A) Base



1pc

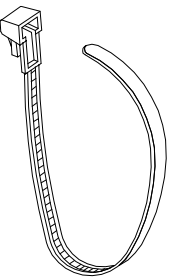
(B) Legs



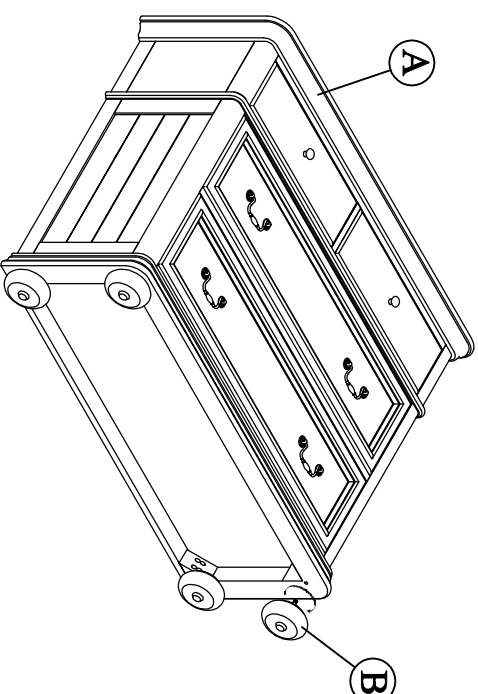
4pcs

LIST OF HARDWARE

1. Anti - tip restraint



1pc



Completed

