

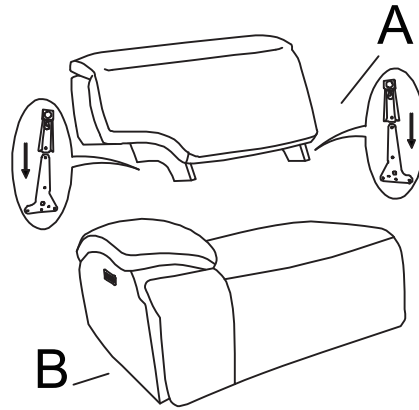
IBIZA II-SECTIONAL SOFA

Contents

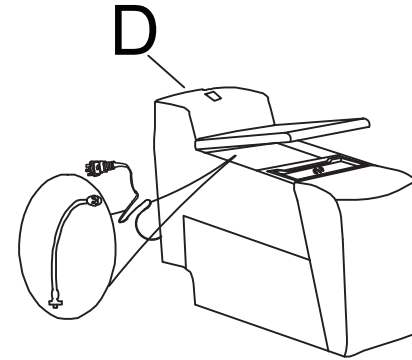
Before getting started, ensure the package contains the following components:

| NO. | DESCRIPTION | IMAGE | Q'TY |
|-----|-----------------------------|-------|------|
| A | LAF POWER RECLINER BACK | | 1 |
| B | LAF POWER RECLINER SEAT | | 1 |
| C | LAF POWER RECLINER EAR | | 1 |
| D | CONSOLE | | 1 |
| E | ARMLESS POWER RECLINER BACK | | 1 |
| F | ARMLESS POWER RECLINER SEAT | | 1 |
| G | LEFT WEDGE BACK | | 1 |
| H | RIGHT WEDGE BACK | | 1 |
| I | WEDGE SEAT | | 1 |
| J | RAF POWER RECLINER BACK | | 1 |
| K | RAF POWER RECLINER SEAT | | 1 |
| L | RAF POWER RECLINER EAR | | 1 |
| M | READING LIGHT | | 1 |
| N | WALL PLUG | | 3 |
| O | ARMLESS CHAIR BACK | | 1 |
| P | ARMLESS CHAIR SEAT | | 1 |

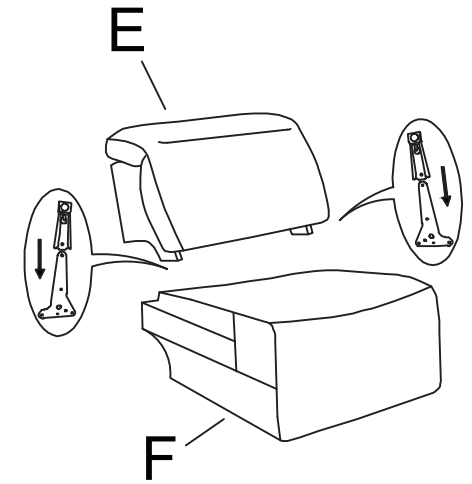
STEP1:



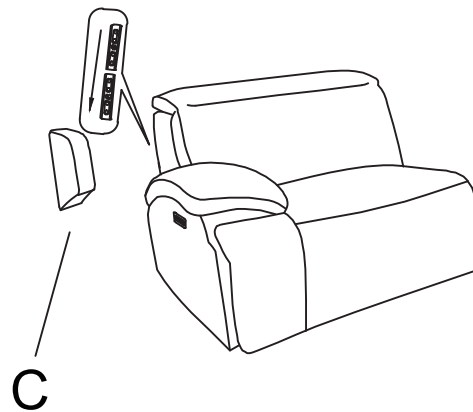
STEP3:



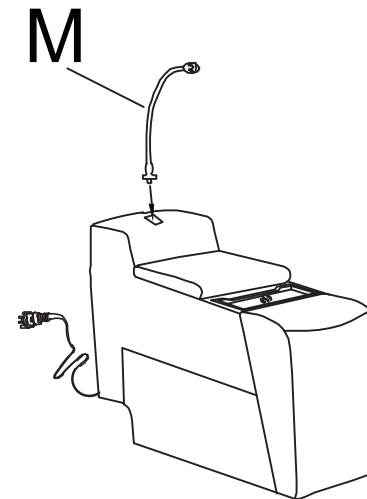
STEP5:



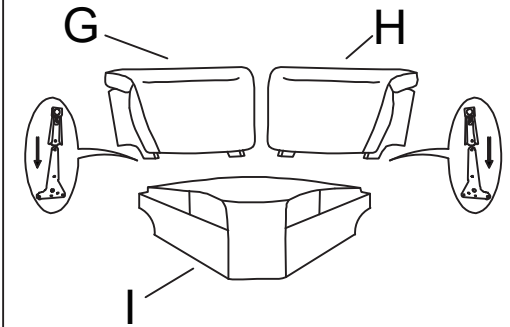
STEP2:



STEP4:



STEP6:

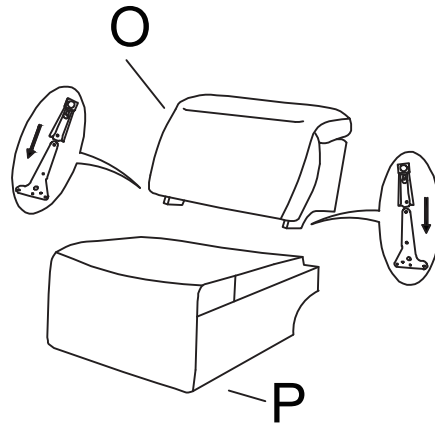


IBIZA II-SECTIONAL SOFA

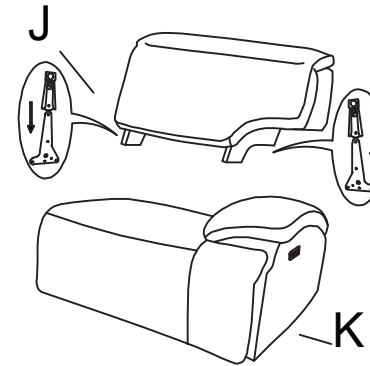
NOTE: PO # is located on each product carton. Please be prepared to provide this # should any claim be necessary.

CAUTION: Item is heavy. Assembly should be performed by two people.

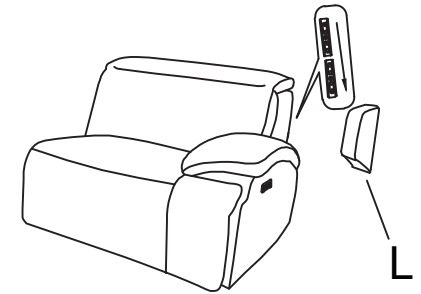
STEP7:



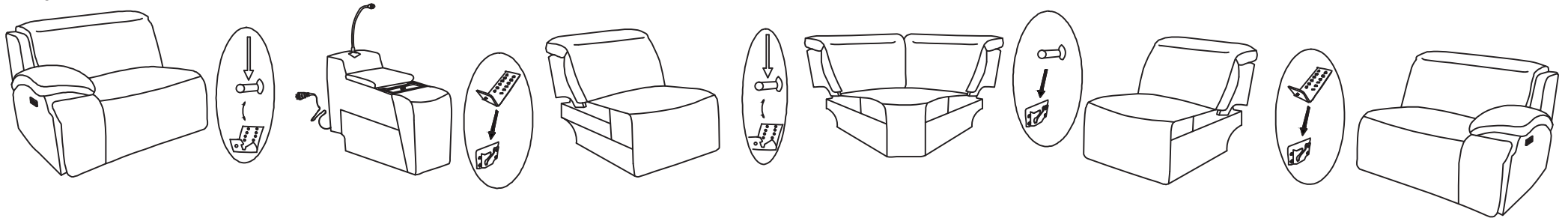
STEP8:



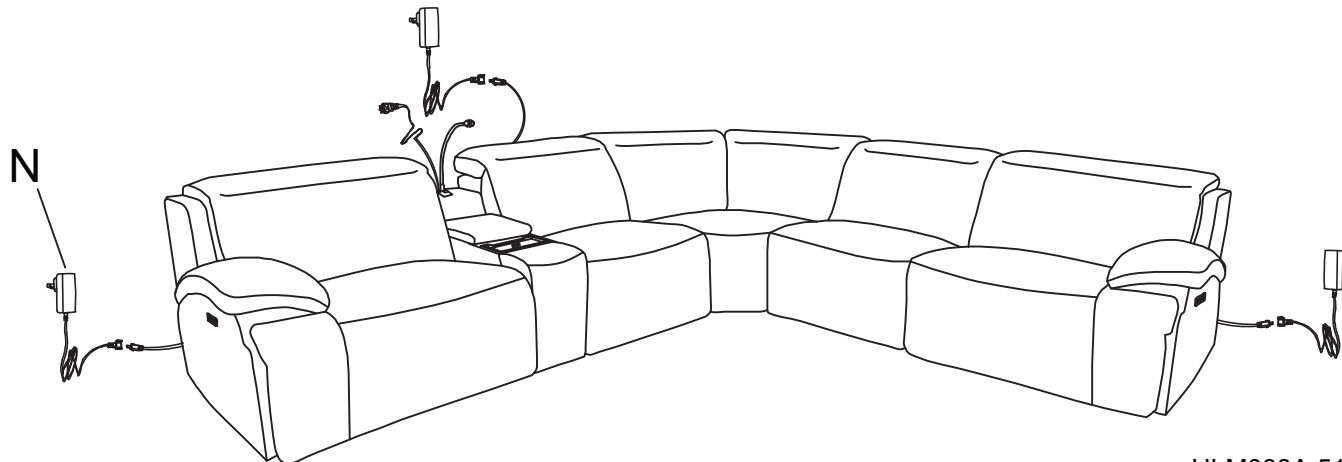
STEP9:



STEP10:



STEP11:



HLM033A 51L+61NC+51N+61NW+61N+51R