


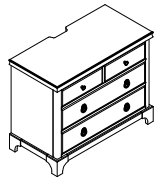
ASSEMBLY INSTRUCTIONS FOR

2002 NS3 - 3 DRAWER NIGHTSTAND

HARDWARE LIST OF WOOD NIGHTSTAND

| NO. | SKETCH | COMPONENT | Q'TY |
|-----|---|-------------------|------|
| 1 |  | Tipping restraint | 1pc |

PART LISTS

| NO. | DESCRIPTION | PICTURE | QTY |
|-----|---------------------|---|-----|
| A | 3 DRAWER NIGHTSTAND |  | 1pc |

STEP 1

