



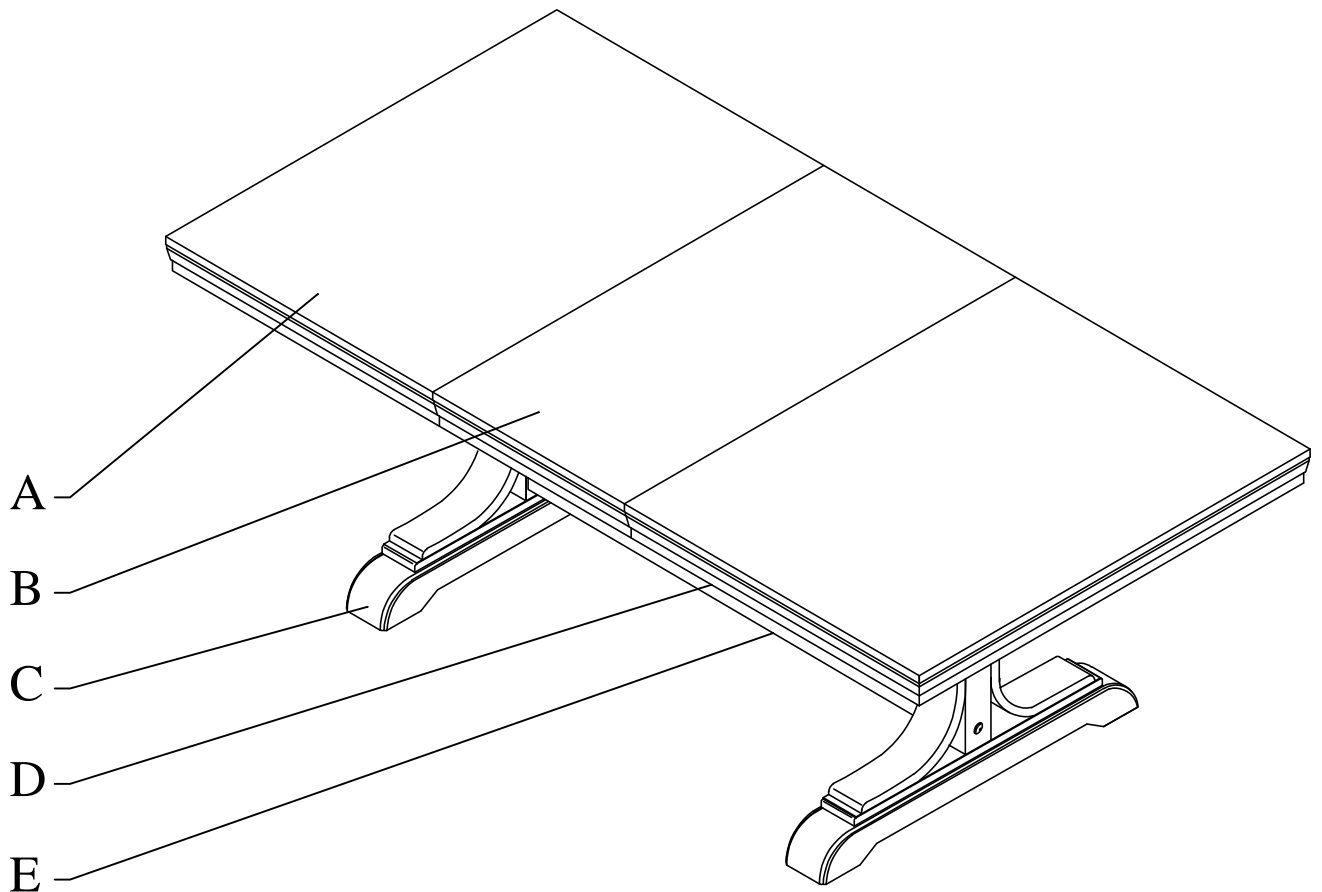
ASSEMBLY INSTRUCTIONS

MODEL : HUNTER DINING TABLE

Thank you for purchasing this quality product. Be sure to check all packing material carefully for small parts. Which may have come loose inside the carton during shipment. Identify and count all parts and compare with the hardware list as below :

Hardware List	No.	Picture	Description	Dimension	Qty
	①		Button Metal Cap With 1 Screw	Ø 30mm+M6 x 100mm [Length]	4 Pcs
	②		JCBC M6	M6 x 70mm [Length]	4 Pcs
	③		Spring Washer M6	M6	4 Pcs
	④		Flat Washer M6	M6 x 19mm	4 Pcs
	⑤		Allen Wrench	M4	1 Pc
	⑥		Allen Wrench	M6	1 Pc

Parts List	No.	Description	Qty
	A	Table Top	1 Pc
	B	Extension Table Leaf	1 Pc
	C	Table Leg	2 Pcs
	D	Upper Stretcher	1 Pc
	E	Lower Stretcher	1 Pc

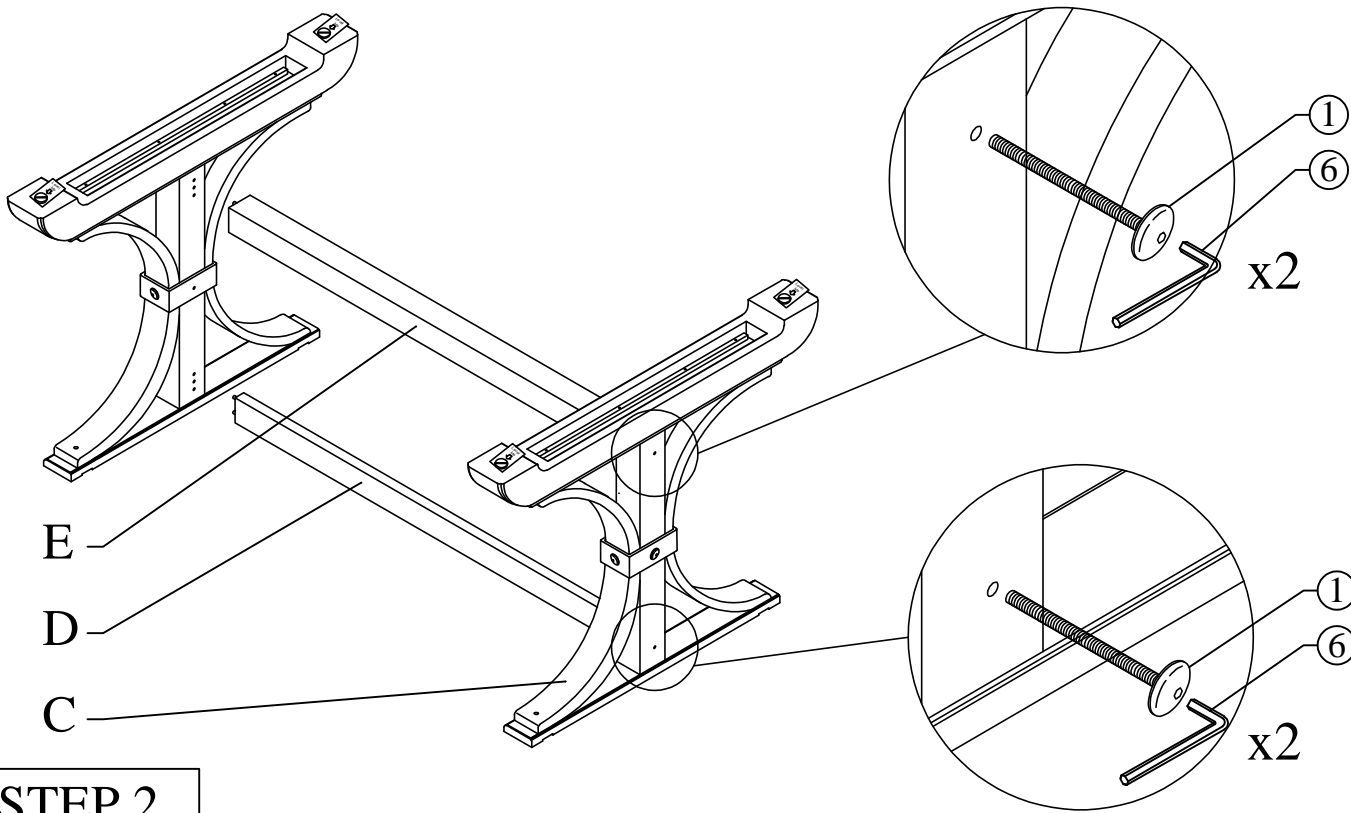


PARTS DETAILS

Assembly step

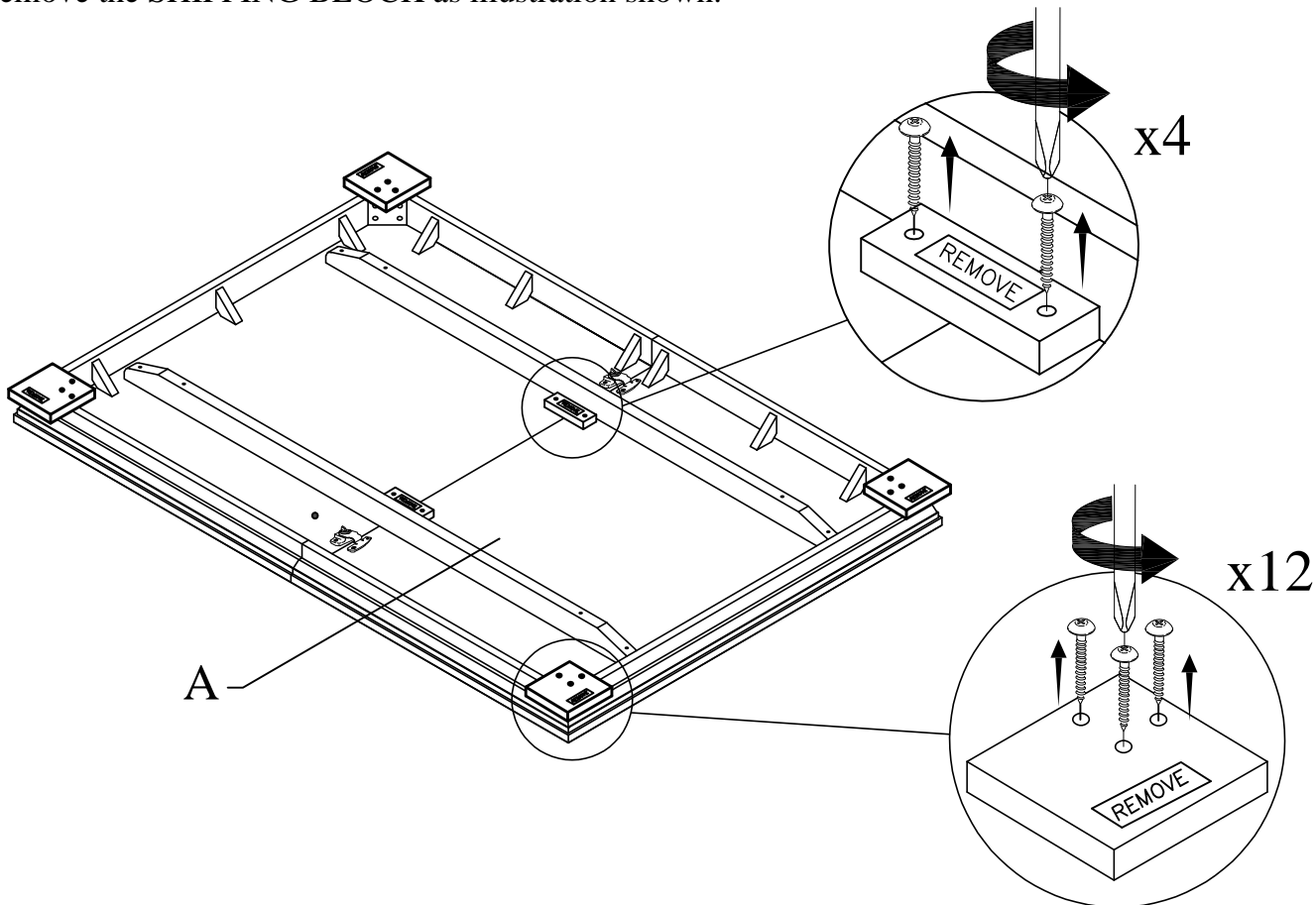
STEP 1

Assemble UPPER STRETCHER and LOWER STRETCHER to TABLE LEG as illustration shown.



STEP 2

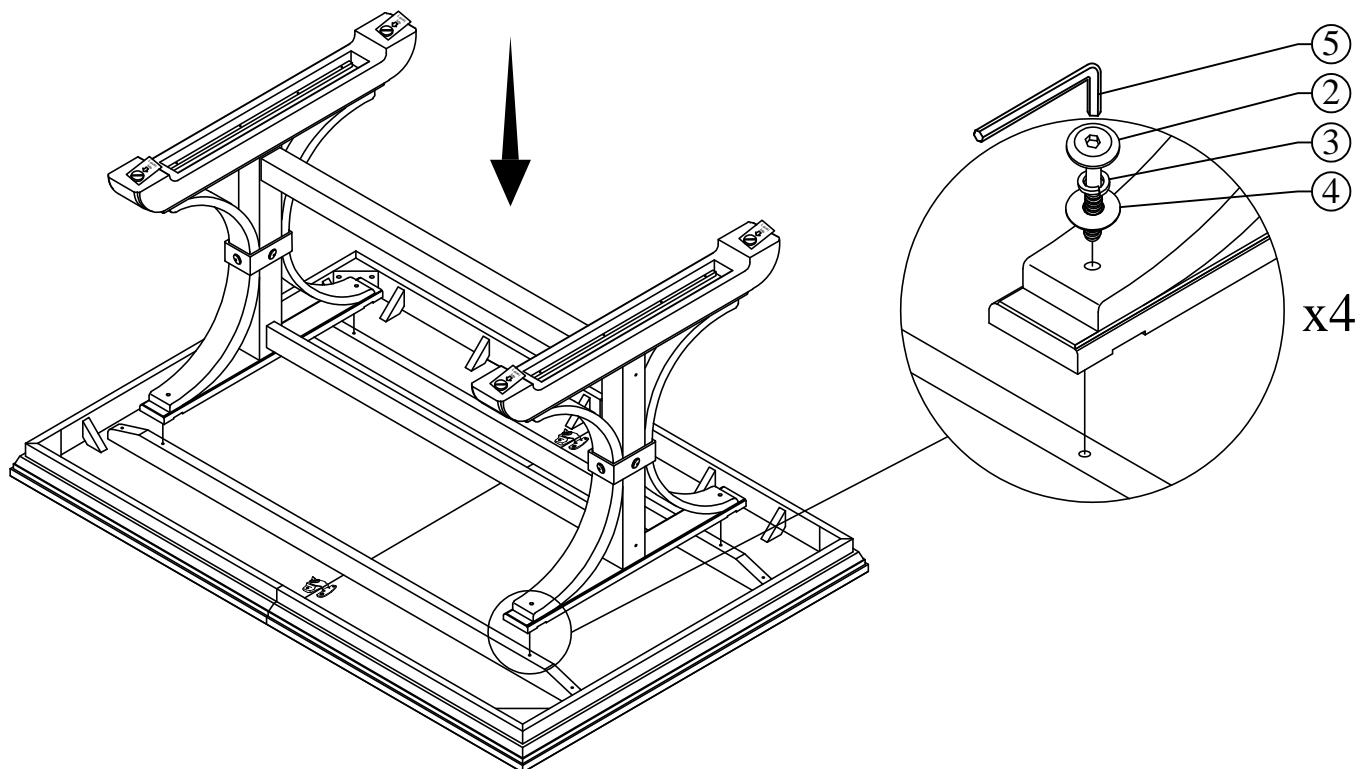
Remove the SHIPPING BLOCK as illustration shown.



Assembly step

STEP 3

Assemble TABLE LEG to TABLE TOP as illustration shown.



STEP 4

Assemble EXTENSION TABLE LEAF to TABLE TOP as illustration shown.

