

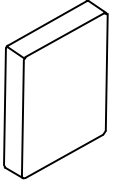
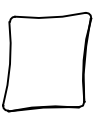
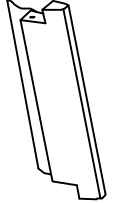
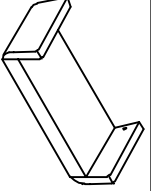

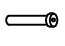

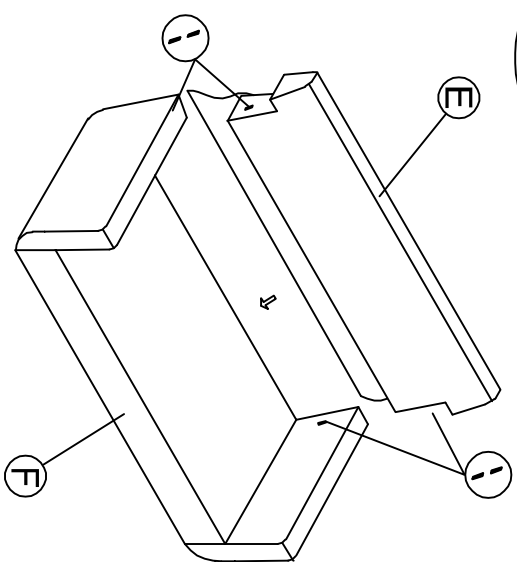


# ITEM : 4443-L

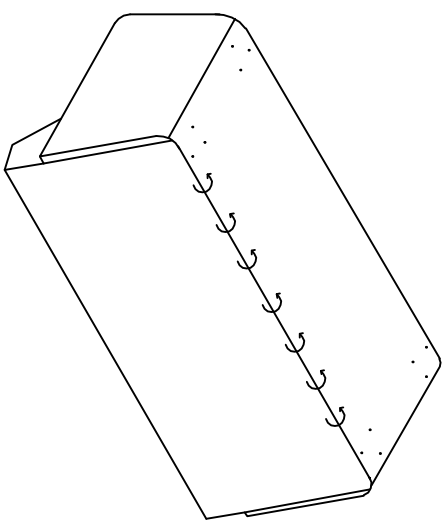
## PARTS LIST

NO	DESCRIPTION	PART	QTY
A	LEFT BACK PILLOW		1PC
B	RIGHT BACK PILLOW		1PC
C	LEFT AND RIGHT CUSHIONS		2PCS
D	THROW PILLOWS		2PCS
E	BACK		1PC
F	SEAT		1PC
G	LEGS		4PCS
H	BOLTS		12PCS
I	ALLENKEY		1PC

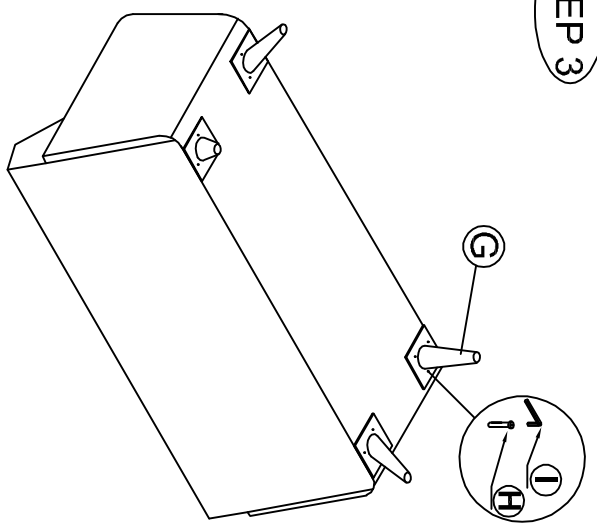
STEP 1



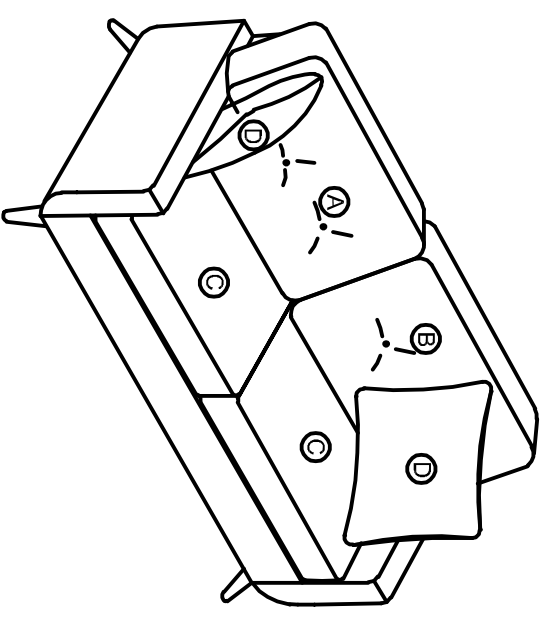
STEP 2



STEP 3



FINISH



Please Check Underneath Seat Deck For Any Parts That May Be Inside