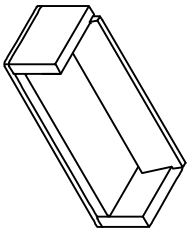
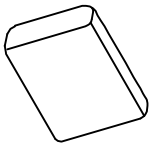
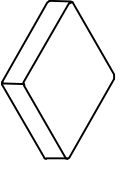


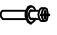

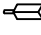
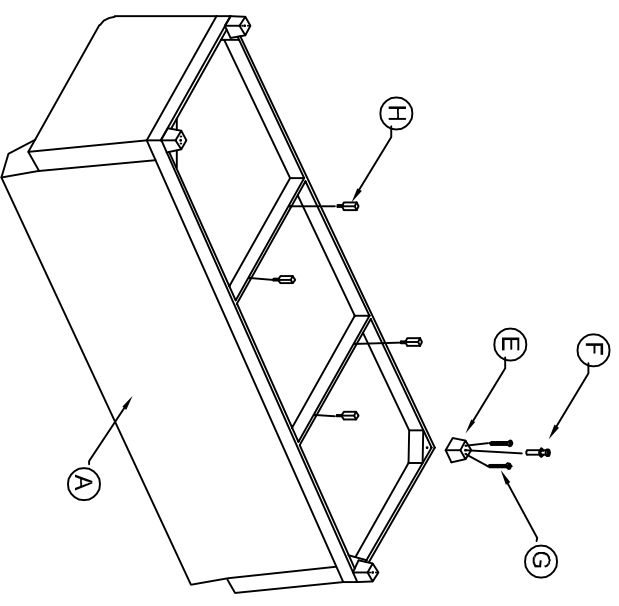


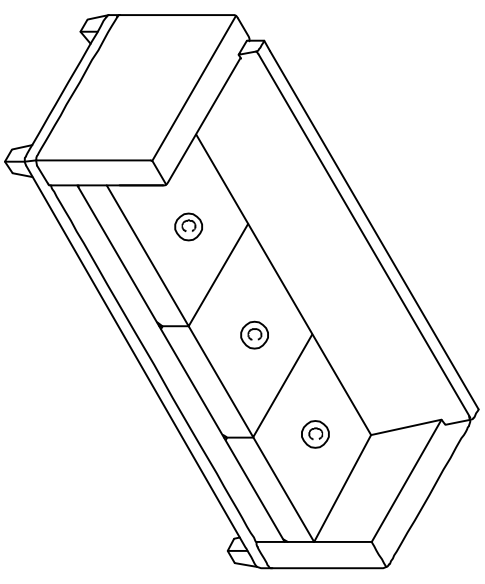
**ITEM : 4410-S**  
PARTS LIST

NO	DESCRIPTION	PART	QTY
A	SEAT		1pc
B	BACK PILLOW		3pcs
C	CUSHIONS		3pcs
D	KIDNEY PILLOWS		3pcs
E	LEGS		4pcs
F	BOLTS		4pcs
G	SCREWS		8pcs
H	SUPPORT LEGS		4pcs

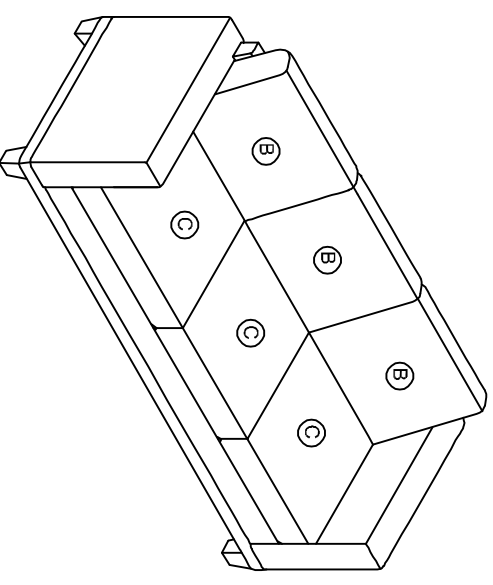
**STEP 1**



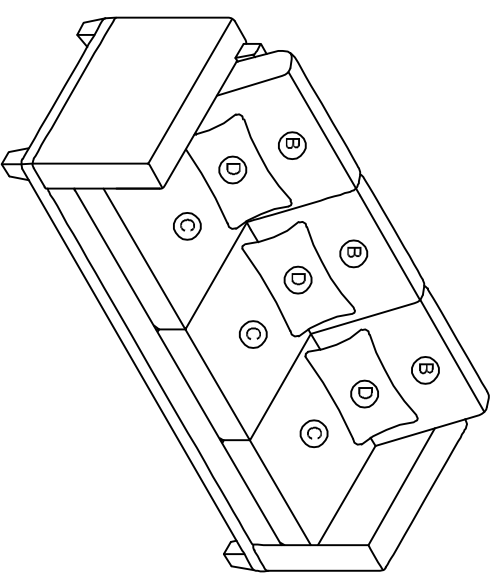
**STEP 2**



**STEP 3**



**FINISH**



**Please Check Underneath Seat Deck For Any Parts That May Be Inside**