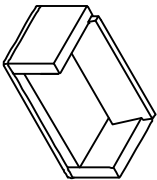
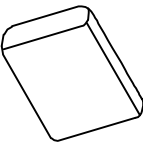
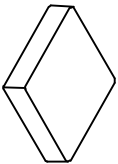


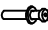

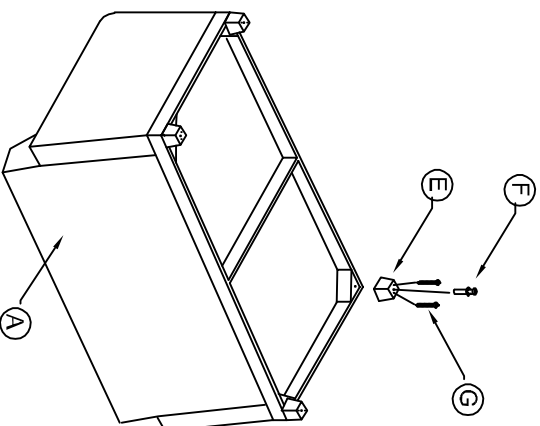


# ITEM : 4410-L

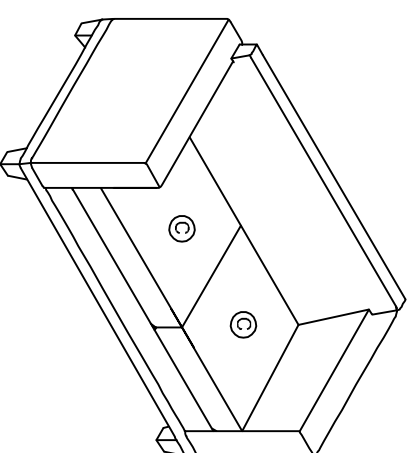
## PARTS LIST

NO	DESCRIPTION	PART	QTY
A	SEAT		1pc
B	BACK PILLOW		2pcs
C	CUSHIONS		2pcs
D	KIDNEY PILLOWS		2pcs
E	LEGS		4pcs
F	BOLTS		4pcs
G	SCREWS		8/pcs

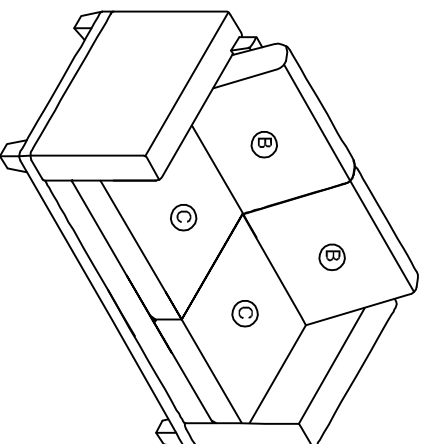
### STEP 1



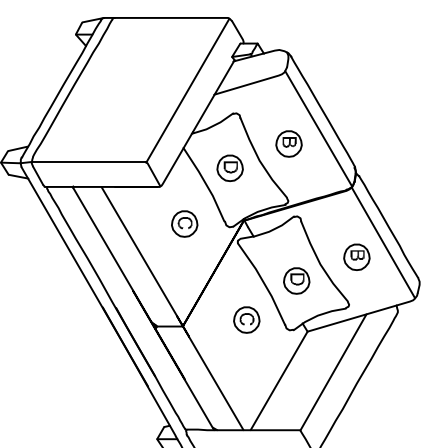
### STEP 2



### STEP 3



### FINISH



**Please Check Underneath Seat Deck For Any Parts That May Be Inside**