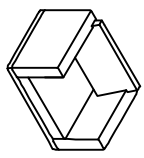
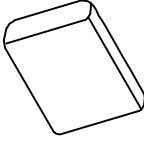
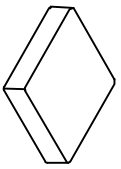


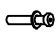

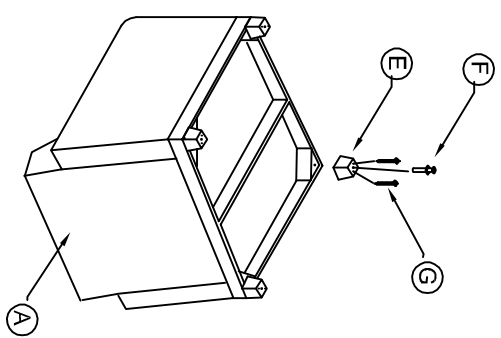


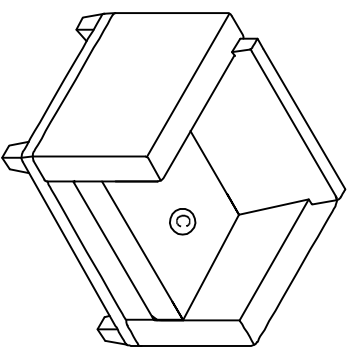
ITEM : 4410-C
PARTS LIST

NO	DESCRIPTION	PART	QTY
A	SEAT		1pc
B	BACK PILLOW		1pc
C	CUSHIONS		1pc
D	KIDNEY PILLOWS		1pc
E	LEGS		4pcs
F	BOLTS		4pcs
G	SCREWS		8pcs

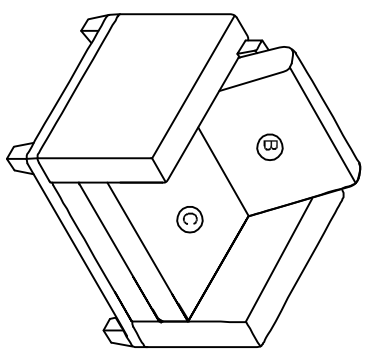
STEP 1



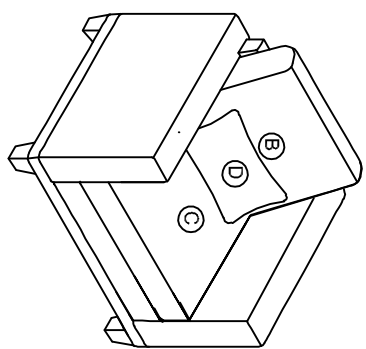
STEP 2



STEP 3



FINISH



Please Check Underneath Seat Deck For Any Parts That May Be Inside