






ASSEMBLY INSTRUCTIONS FOR

2102 QHB - UPH KING HEADBOARD

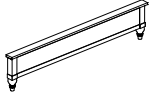

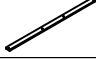

2102 QFB - KING FOOT BOARD

2102 Q/KSR - QUEEN/KING SIDE RAILS


HARDWARE LIST OF SIDE RAILS

| NO. | SKETCH | COMPONENT | Q'TY |
|-----|---|-------------------------|-------|
| 6 |  | Ø8 x 30mm Wood Screw | 10pcs |
| 7 |  | Ø5/16" x 76mm Long Bolt | 8pcs |
| 8 |  | 37*17mm Arc Washer | 8pcs |
| 9 |  | Ø5/16"-18 mm Nut | 8pcs |
| 10 |  | 12 mm Open Wrench | 1pc |

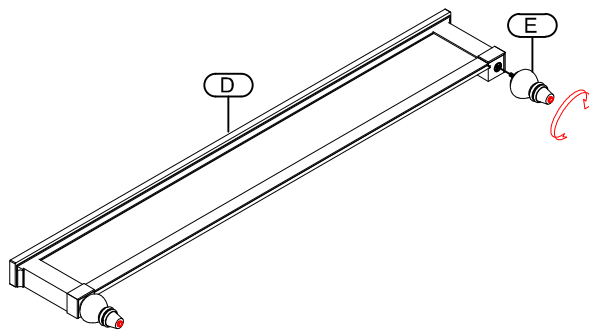
PART LISTS OF FOOTBOARD

| NO. | DESCRIPTION | PICTURE | QTY |
|-----|-----------------------|---|-------|
| D | Footboard |  | 1pc |
| E | Bunfeet |  | 2pcs |
| F | Slats |  | 5pcs |
| G | Footboard Support Leg |  | 10pcs |

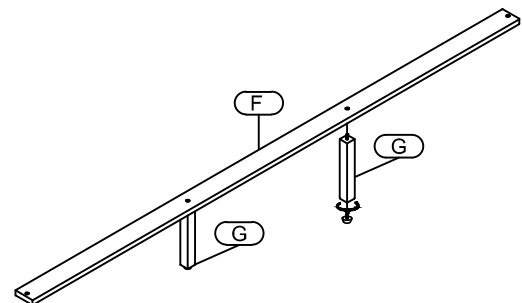
PART LISTS OF SIDE RAILS

| NO. | DESCRIPTION | PICTURE | QTY |
|-----|-------------|---|------|
| H | Rail |  | 2pcs |

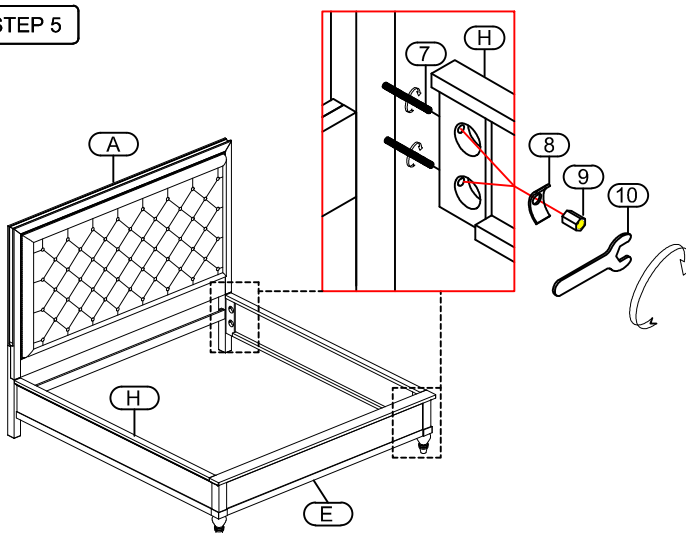
STEP 3



STEP 4



STEP 5



STEP 6

