


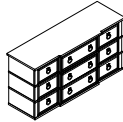


# ASSEMBLY INSTRUCTIONS FOR

## 2102 DR9 - 9 DRAWERS DRESSER

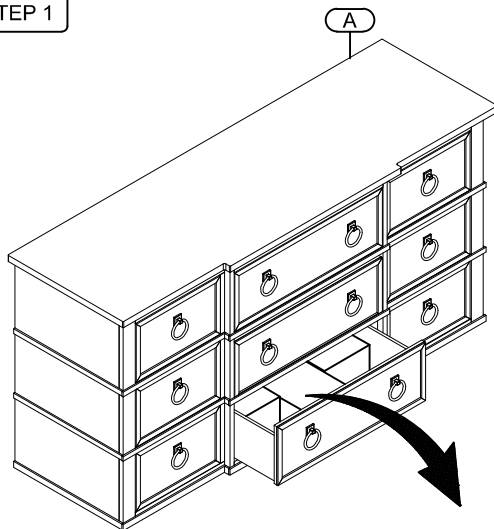
### HARDWARE LIST OF DRESSER

NO.	SKETCH	COMPONENT	Q'TY
1		Tipping restraint	1pc

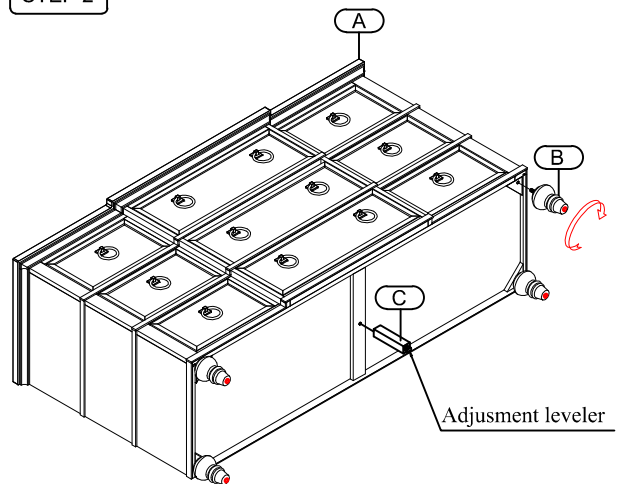
### PART LISTS

NO.	DESCRIPTION	PICTURE	QTY
A	Dresser		1pc
B	Bunfeet		4pcs
C	Support Leg		1pc

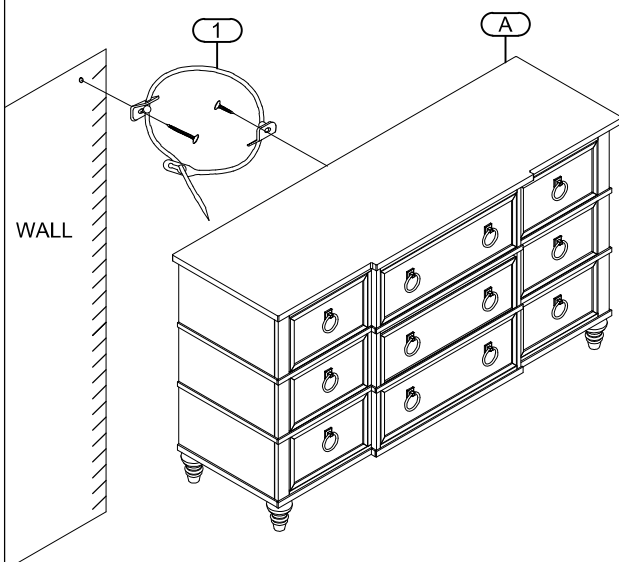
STEP 1



STEP 2



STEP 3



COMPLETE

