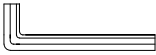


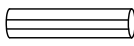




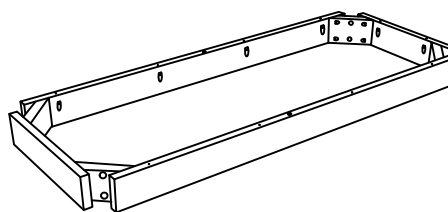
PART	ITEM	QTY.	PART	ITEM	QTY.
A	 ALLEN KEY M5	1 pcs	D	 FLAT WASHER	12 pcs
B	 JCBC M8 x 60MM	12 pcs	E	 WOOD DOWEL 8 x 30MM	2 pcs
C	 SPRING WASHER	12 pcs	F	 SCREW M4 x 32MM	16 pcs

①



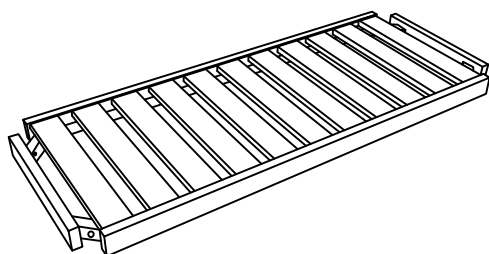
Table Top x 1 pcs

②



Apron Frame x 1 pcs

③



Slat Frame x 1 pcs

④

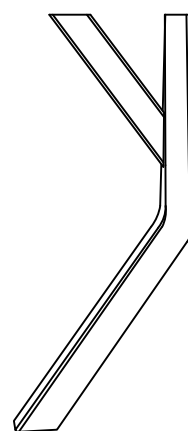
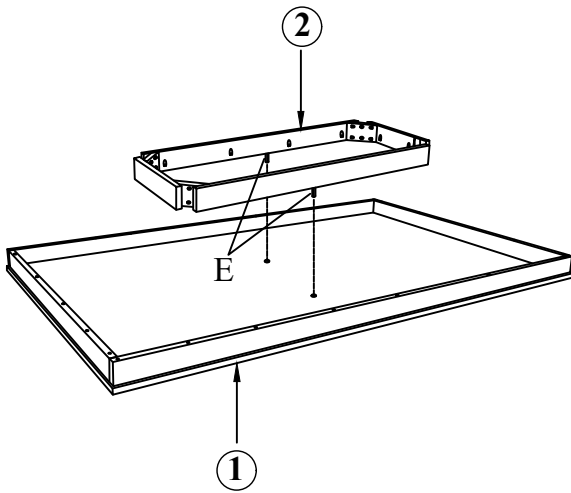
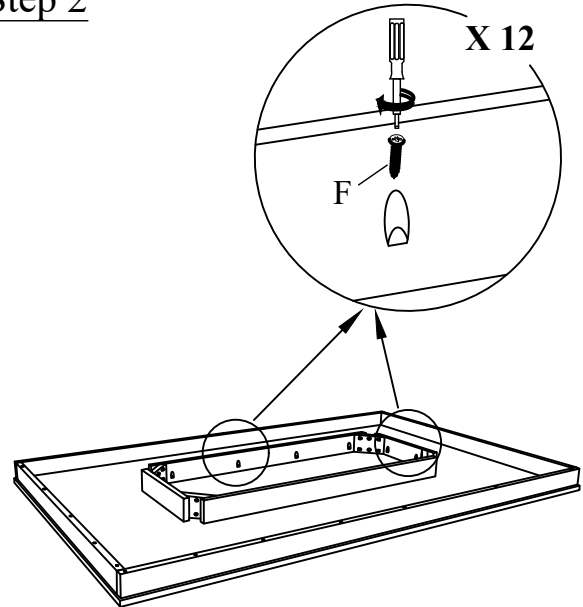


Table Leg x 4 pcs

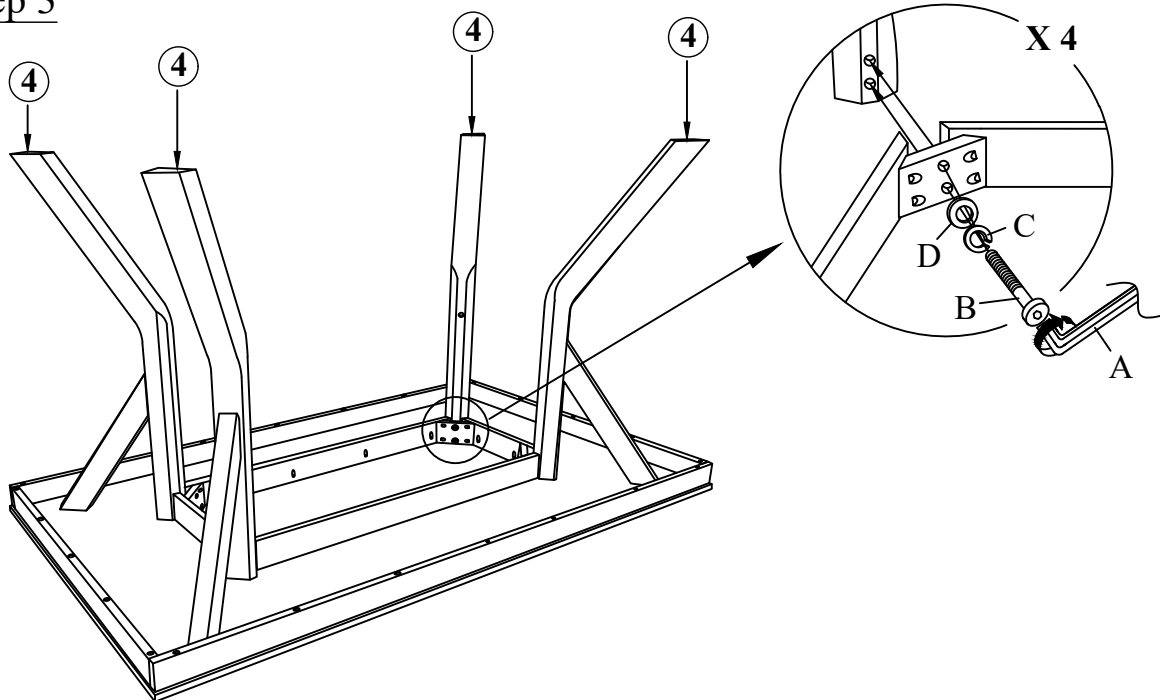
Step 1



Step 2



Step 3



Step 4

