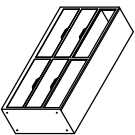
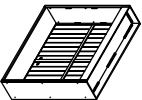
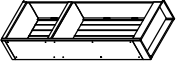


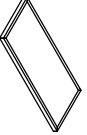


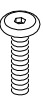

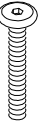


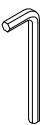




# ASSEMBLY INSTRUCTIONS

Group Name: ENORMOUS  
 Description: BUFEET/ HUTCH/ LEFT PIER/ RIGHT PIER  
 Item No: TN-123-BF/ TN-123-H/ TN-123-L/ TN-123-R

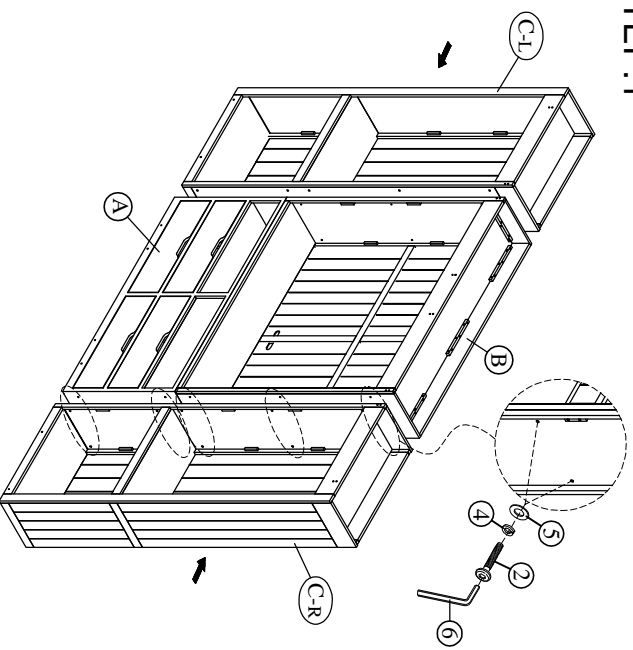
## LIST OF PARTS

<b>A. Buffet</b>  1pc	<b>B. Hutch</b>  1pc
<b>C. Pier</b>  1L,1R	<b>D. Door</b>  1L,1R
<b>E. Long Shelf</b>  2pcs	<b>F. Short shelf</b>  6pcs

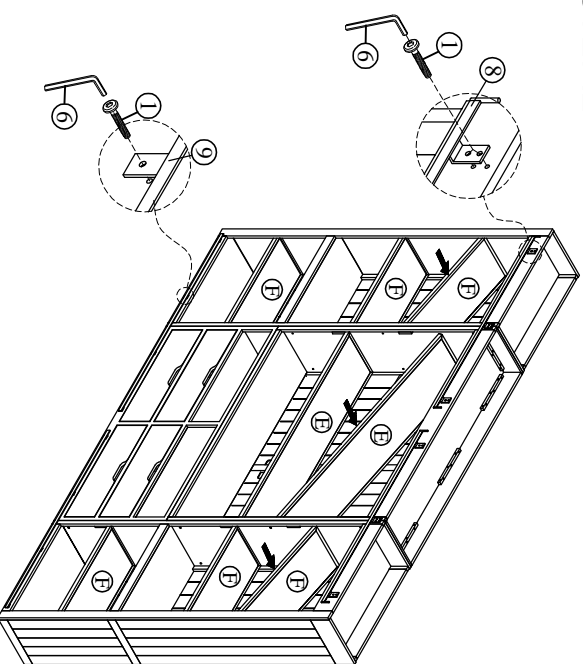
## LIST OF HARDWARE

<b>1. Short Bolt</b>  1/4" x 20mm(24 pcs)	<b>2. Medium Bolt</b>  1/4" x 35mm(20 pcs)
<b>3. Long Bolt</b>  1/4" x 70mm(4 pcs)	<b>4. Spring washer</b>  1/4" (24 pcs)
<b>5. Flat washer</b>  1/4" x 19mm(24 pcs)	<b>6. Allen key</b>  4mm(1 pc)
<b>7.Handle</b>  2 pcs	<b>8.Sliding rails top</b>  2 pcs
<b>9.Sliding rails bottom</b>  2 pcs	<b>10.Tipping Restraint</b>  3 Set

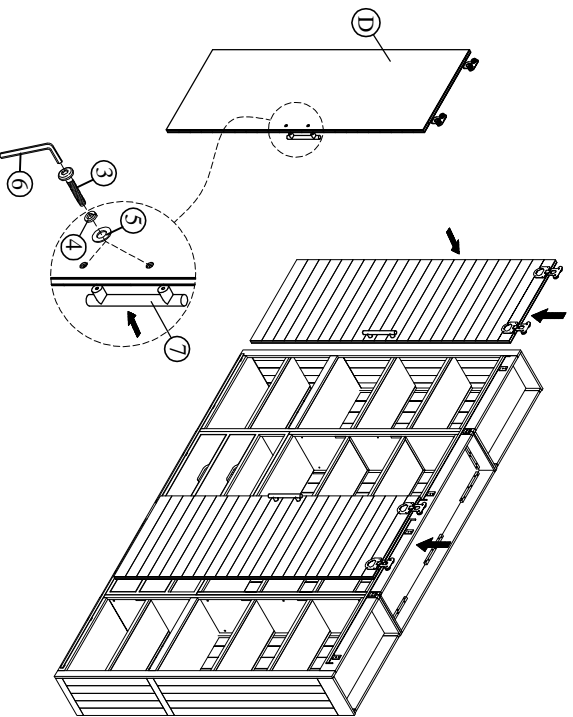
### STEP.1



### STEP.2



### STEP.3



### STEP.4

