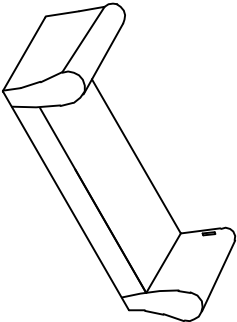
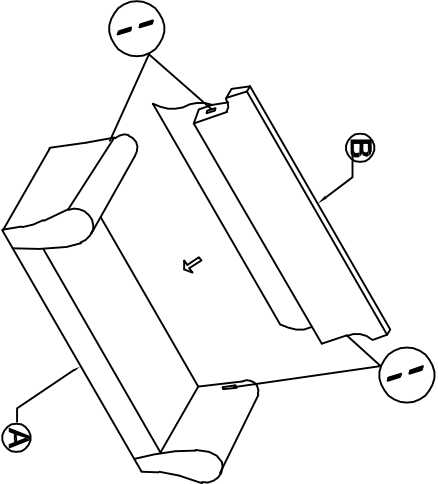
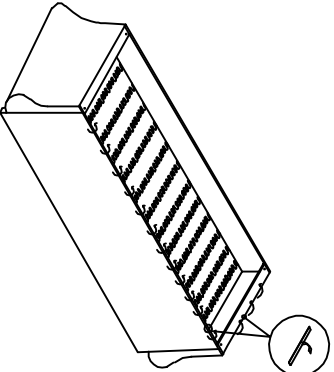
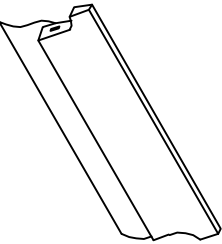
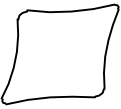
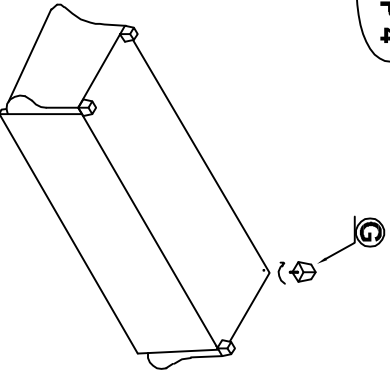
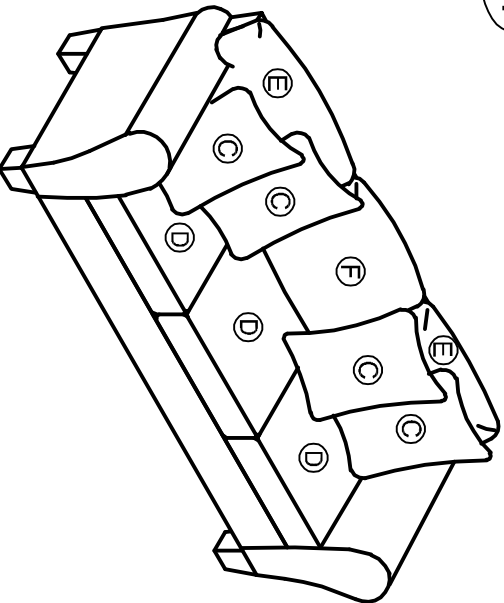
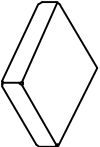

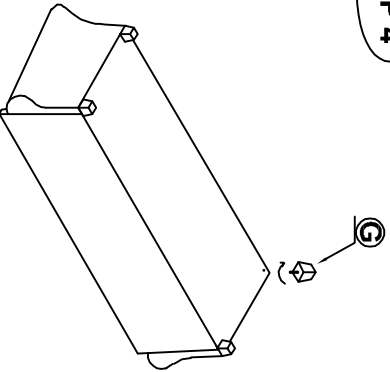
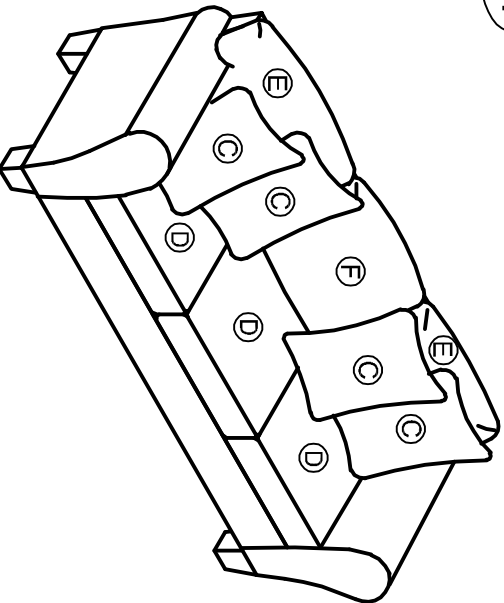

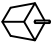
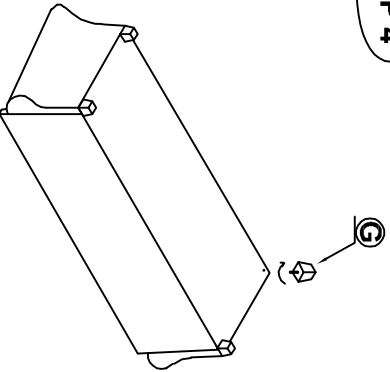
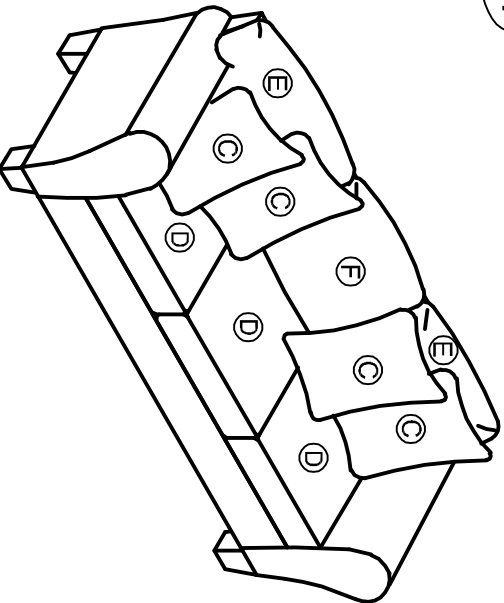


ITEM : TP1660-00
PARTS LIST

NO	DESCRIPTION	PART	QTY		
A	SEAT		1pc	<p>STEP 1</p> 	<p>STEP 2</p> 
B	BACK		1pc		
C	THROW PILLOWS		4pcs	<p>STEP 4</p> 	<p>FINISH</p> 
D	LEFT, RIGHT, CENTER CUSHION		3pcs		
E	BACK PILLOWS		2pcs	<p>STEP 4</p> 	<p>FINISH</p> 
F	BACK PILLOW		1pc		
G	LEGS		4pcs	<p>STEP 4</p> 	<p>FINISH</p> 

Please Check Underneath Seat Deck For Any Parts That May Be Inside