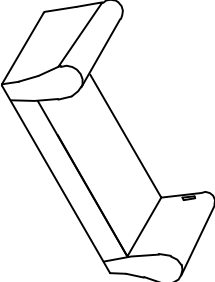
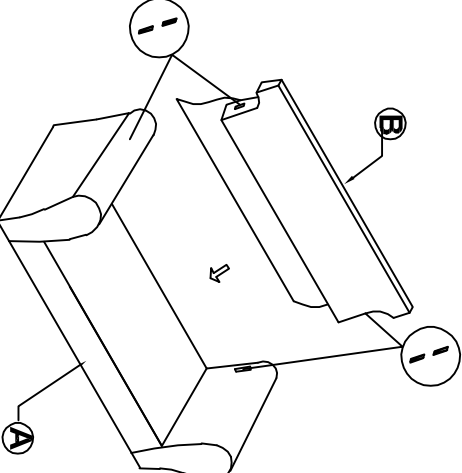
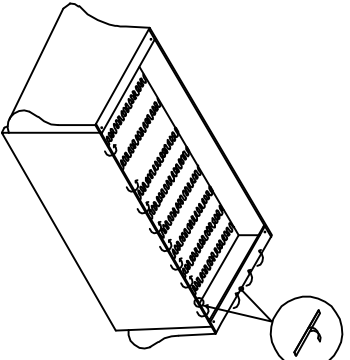
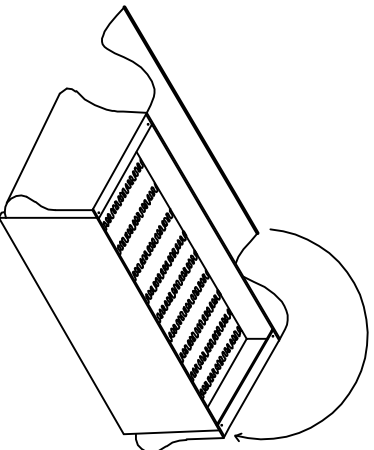
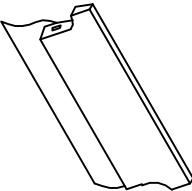
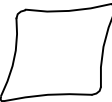
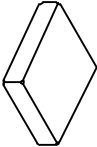
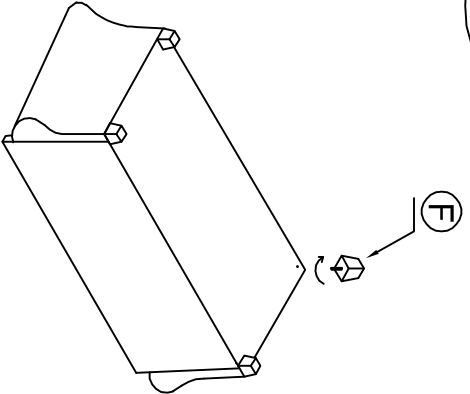

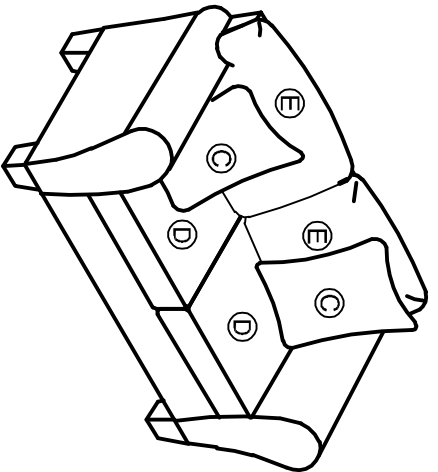



ITEM : TP1660-10
PARTS LIST

NO	DESCRIPTION	PART	QTY		
A	SEAT		1pc	<p>STEP 1</p>  <p>STEP 2</p>  <p>STEP 3</p> 	
B	BACK		1pc		
C	THROW PILLOWS		2pcs		
D	LEFT,RIGHT CUSHIONS		2pcs	<p>STEP 4</p> 	
E	BACK PILLOWS		2pcs	<p>FINISH</p> 	
F	LEGS		4pcs		

Please Check Underneath Seat Deck For Any Parts That May Be Inside