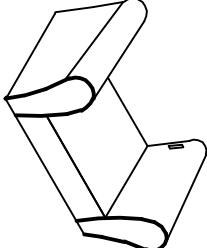
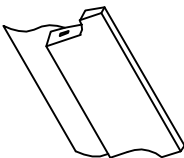

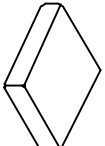

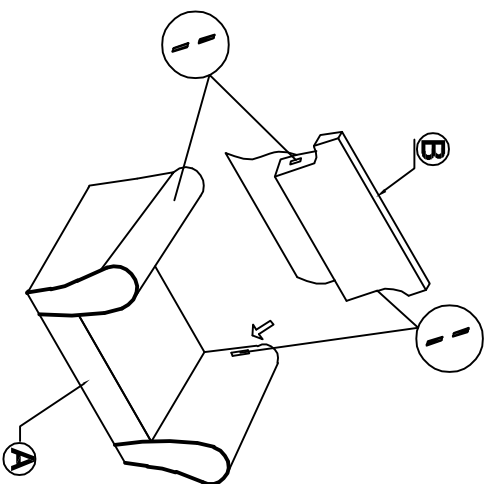


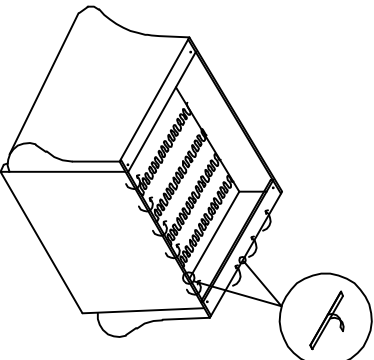
ITEM : TP1660-20
PARTS LIST

NO	DESCRIPTION	PART	QTY
A	SEAT		1pc
B	BACK		1pc
C	BACK PILLOW		1pc
D	CUSHION		1pc
E	LEGS		4pcs

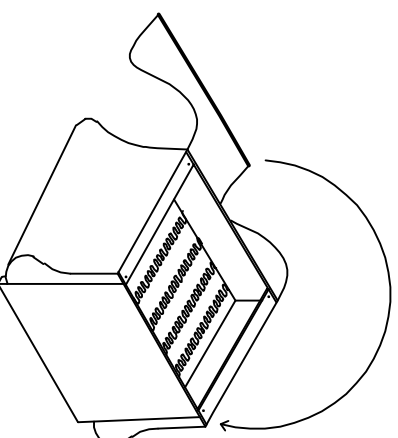
STEP 1



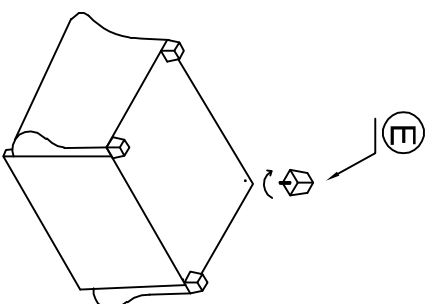
STEP 2



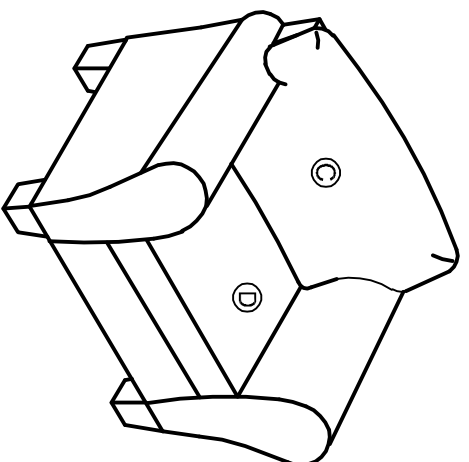
STEP 3



STEP 4



FINISH



Please Check Underneath Seat Deck For Any Parts That May Be Inside