

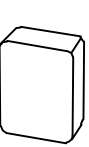

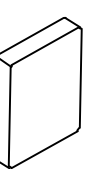


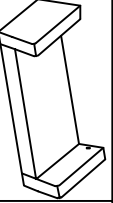
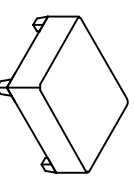

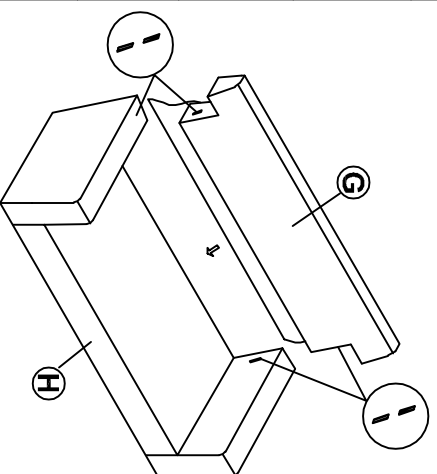


ITEM : 4430-SCH

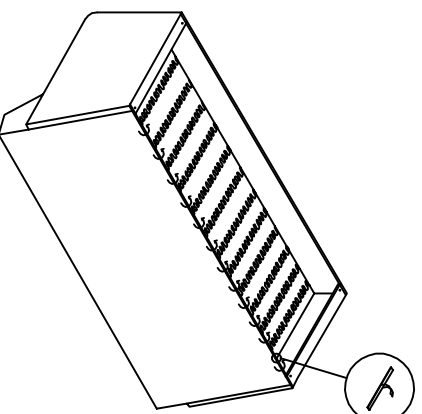
PARTS LIST

NO	DESCRIPTION	PART	QTY
A	LEFT BACK PILLOW		1PC
B	RIGHT BACK PILLOW		1PC
C	CENTER BACK PILLOW		1PC
D	LARGE CUSHION		1PC
E	CENTER AND RIGHT CUSHIONS		2PCS
F	THROW PILLOWS		2PCS
G	LARGE BACK		1PC
H	SEAT		1PC
I	OTTOMAN		1PC
J	LEGS		8PCS

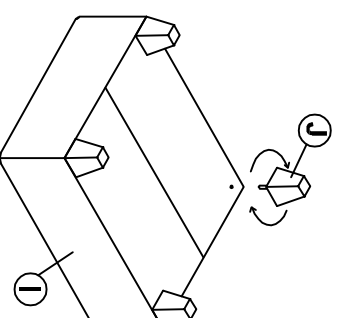
STEP 1



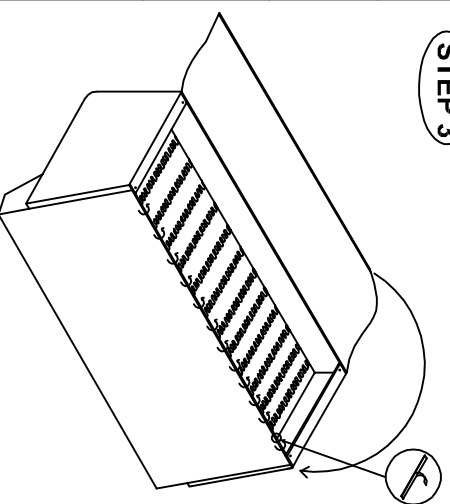
STEP 2



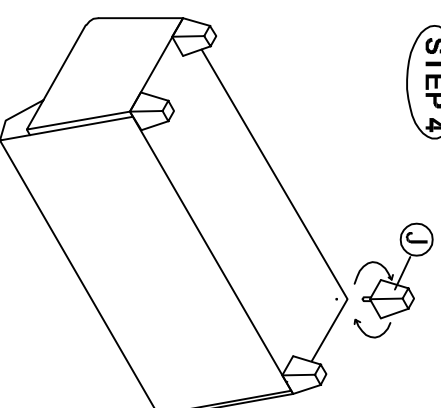
STEP 5



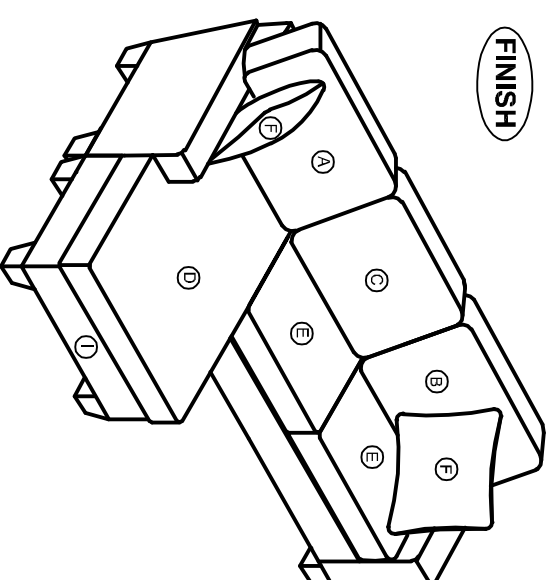
STEP 3



STEP 4



FINISH



Please Check Underneath Seat Deck For Any Parts That May Be Inside