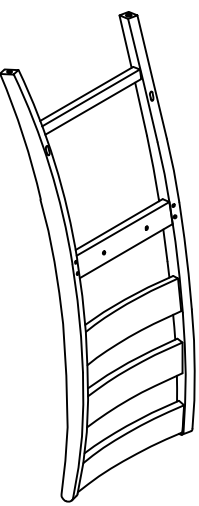
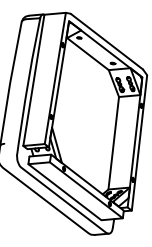
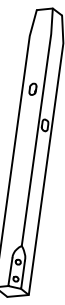


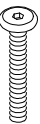
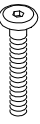
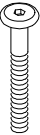



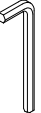


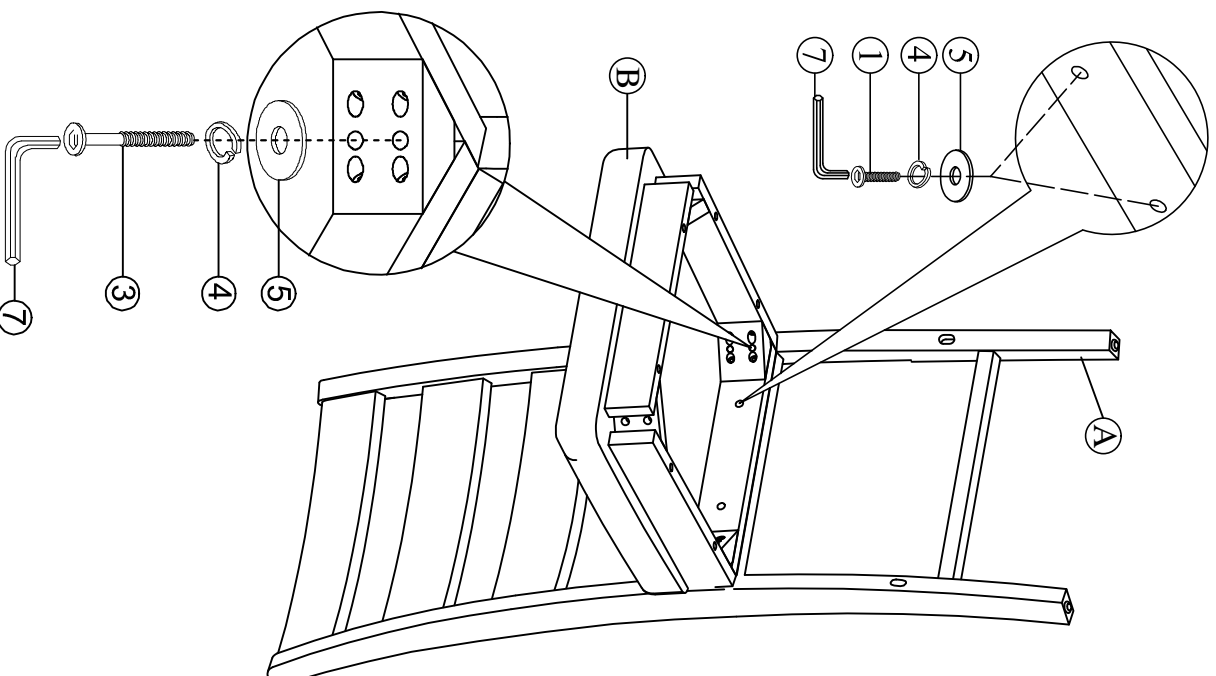
ASSEMBLY INSTRUCTIONS

Description: Dahlia Stool
Item No: TN-911-ST

PARTS LIST

A Chair back 		
B Seat Frame  1pc	C Front legs  1L; 1R	
D Side stretcher  1L; 1R	E Front stretcher  1 pc	
HARDWARE LIST		
1 Short bolt  1/4" x 35mm(2 pcs)	2 Long bolt  1/4" x 60mm(4 pcs)	
3 Long bolt  1/4" x 75mm(4 pcs)	4 Spring washer 	
5 Flat washer  1/4" x 19mm(10 pcs)	6 Screws  #8 x 38mm(6 pcs)	
7 Allen key  4mm(1 pc)		

Step. 1



Step. 2

