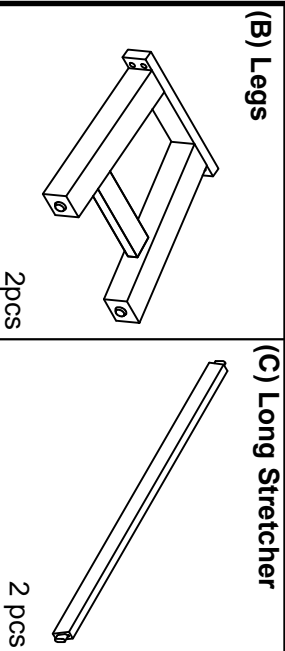
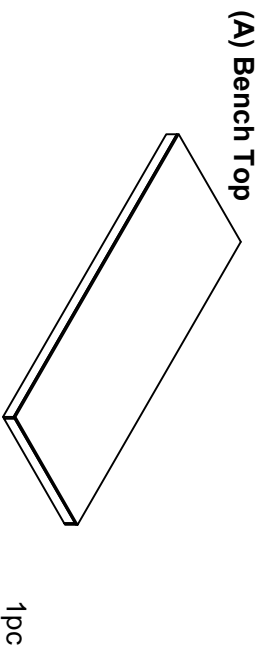


ASSEMBLY INSTRUCTIONS

Description: Dahlia Pub Height Bench With Metal rod
Item No.: TN-100-PB

LIST OF PARTS



LIST OF HARDWARE

1. Flat Washer



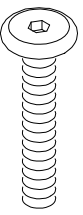
5/16" x 19mm(8pcs)

2. Spring Washer



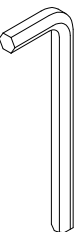
5/16" (8pcs)

3. Short bolt



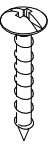
5/16" x 38 mm(8pcs)

4. Allen key



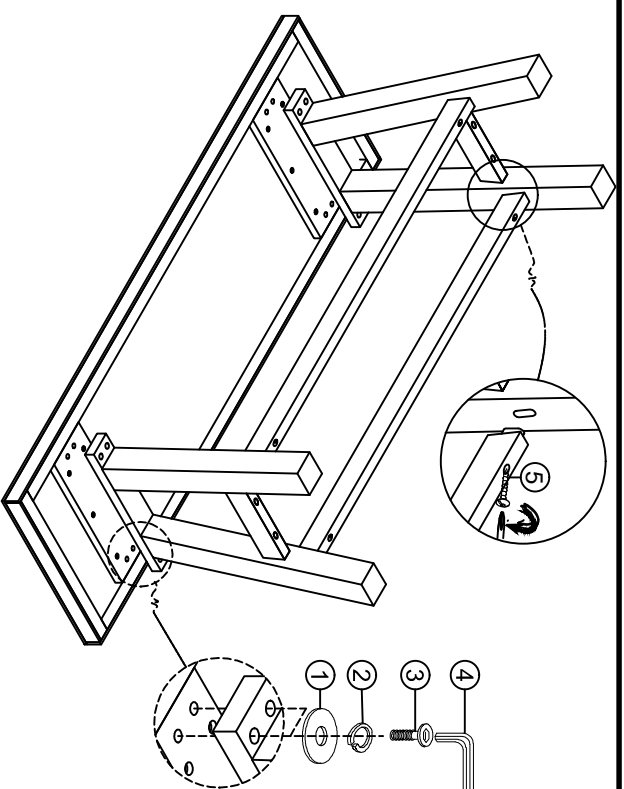
1 pc

5. Screws



#4 x 38mm(4 pcs)

Step.1



Step.2

