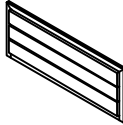
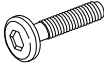
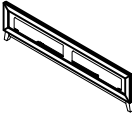



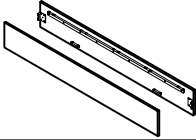

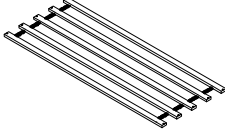
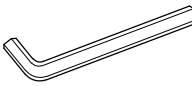
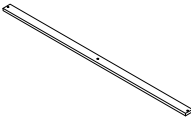
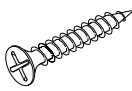
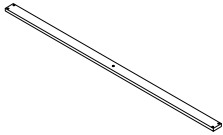

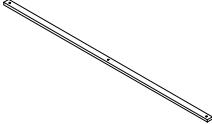

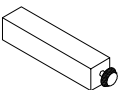
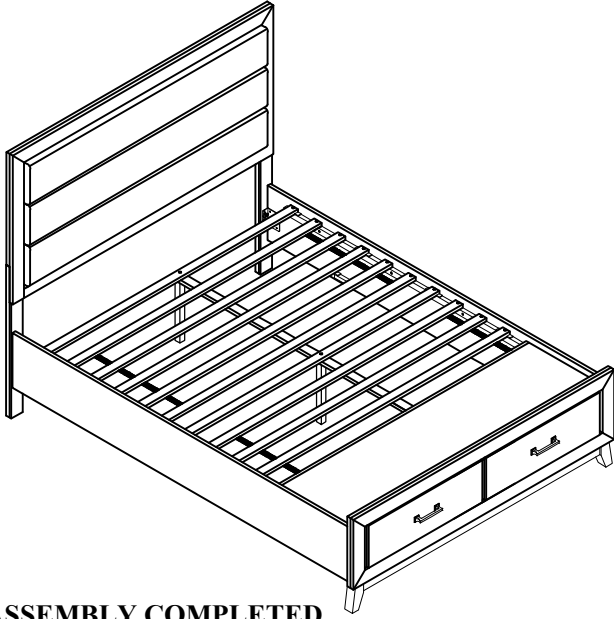
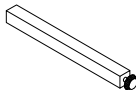
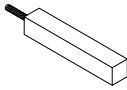
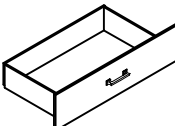
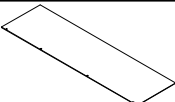
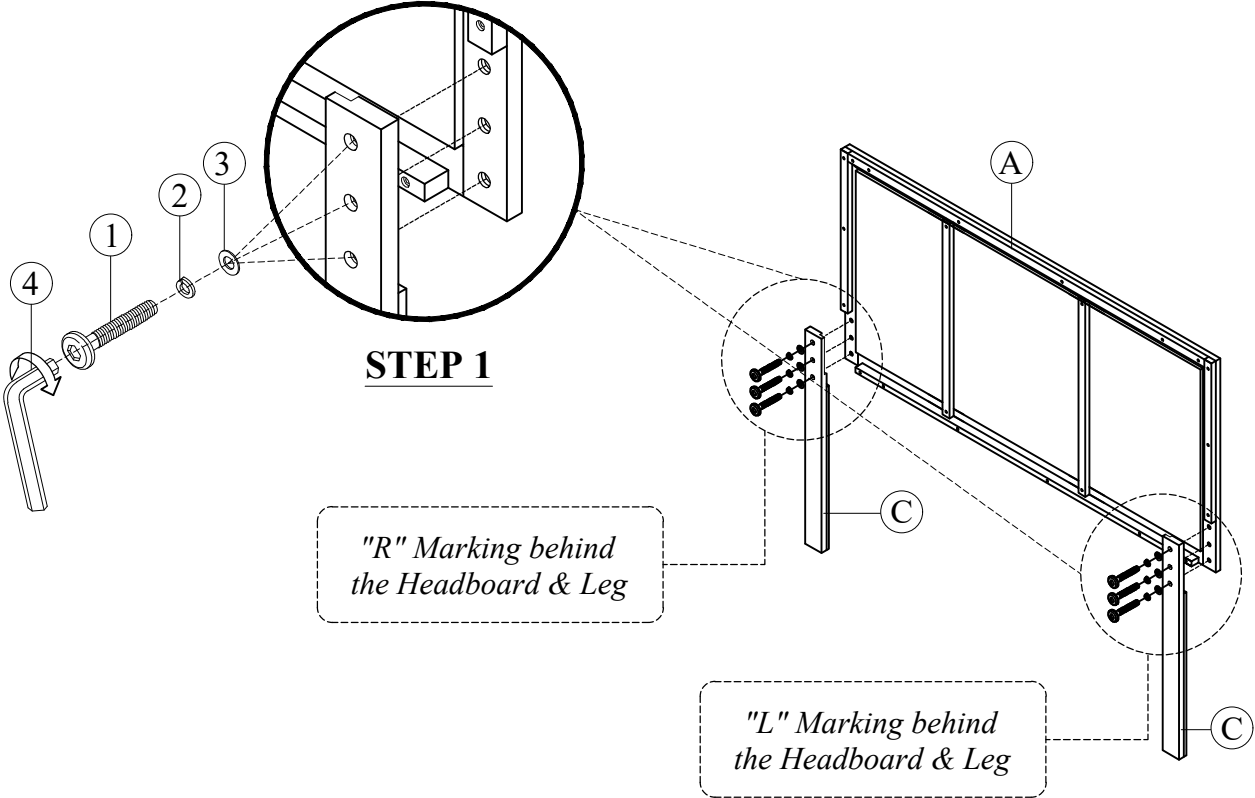


NOTE : YOU WILL ALSO NEED A PHILIP SCREW DRIVER (NOT PROVIDED)

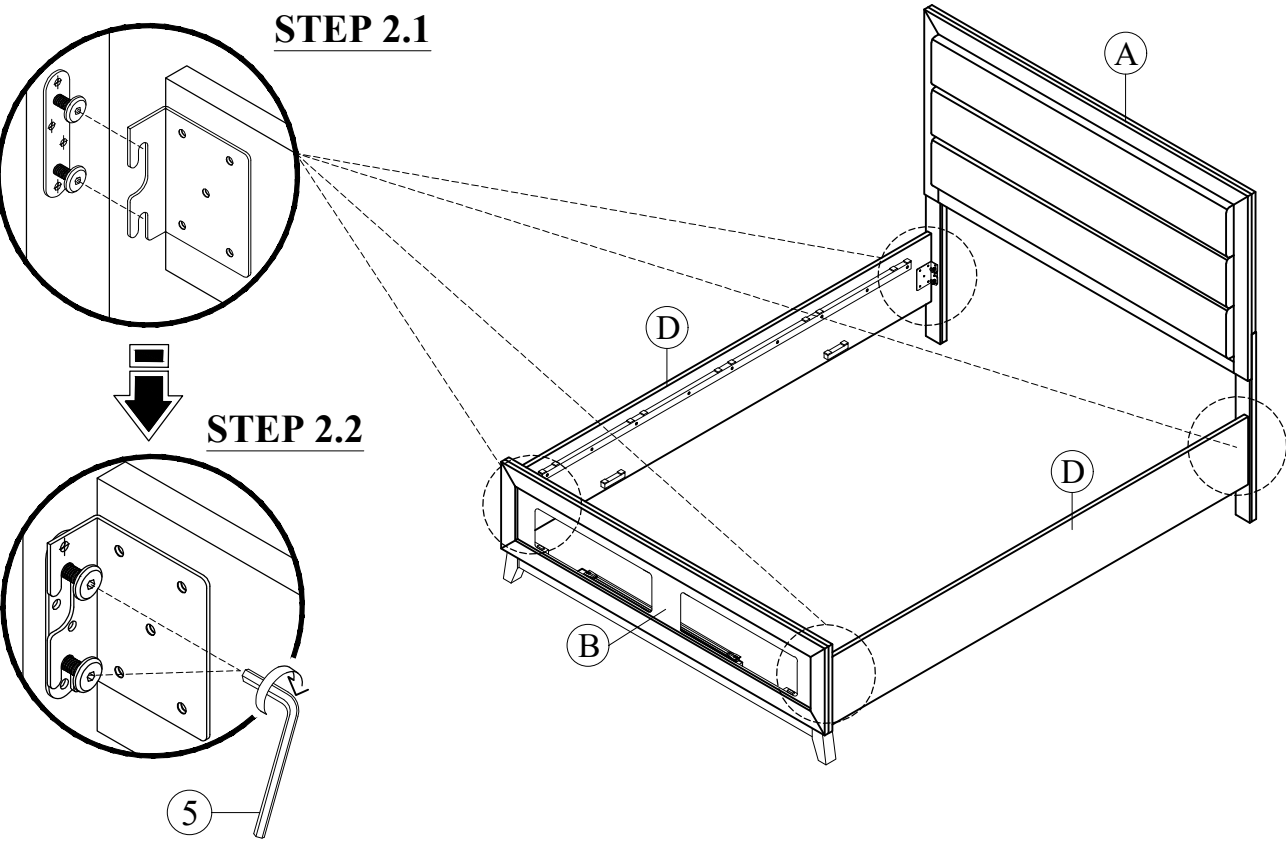
NO	PARTS LIST		QTY.	NO	HARDWARE LIST		QTY.
A		Headboard	1pc.	1		JCBC Screw M6 x 30mm	6pcs.
B		Footboard	1pc.	2		Spring Washer Ø1/4"	6pcs.
C		Headboard Leg (L&R)	2pcs.	3		Flat Washer Ø1/4" x 13mm	6pcs.
D		Side Rail	2pcs.	4		L Key M4 x 65mm	1pc.
E		Slat 2 Holes	2 Rolls (5pcs/roll)	5		L Key M5 x 65mm	1pc.
F		Slat 3 Holes	3pcs.	6		CSK M4 x 32mm	30pcs.
G		Drawer Slat	1pc.	7		CSK M4 x 16mm	6pcs.
H		Centre Rail	1pc.	8		JCBC M6 X 50mm	3pcs.
I		Drawer Slat Support	1pc.	 <p><b>ASSEMBLY COMPLETED</b></p>			
J		Slat Support Leg	3pcs.				
K		Drawer Slat Support Stopper	1pc.				
L		Drawer	2pcs.				
M		Drawer Slat Cover	1pc.				

# Assembly Instructions

## STEP 1



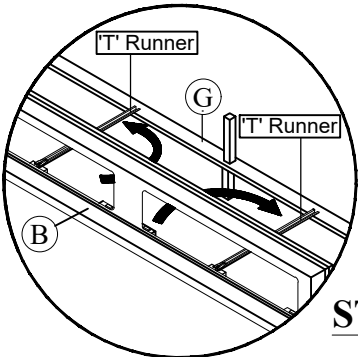
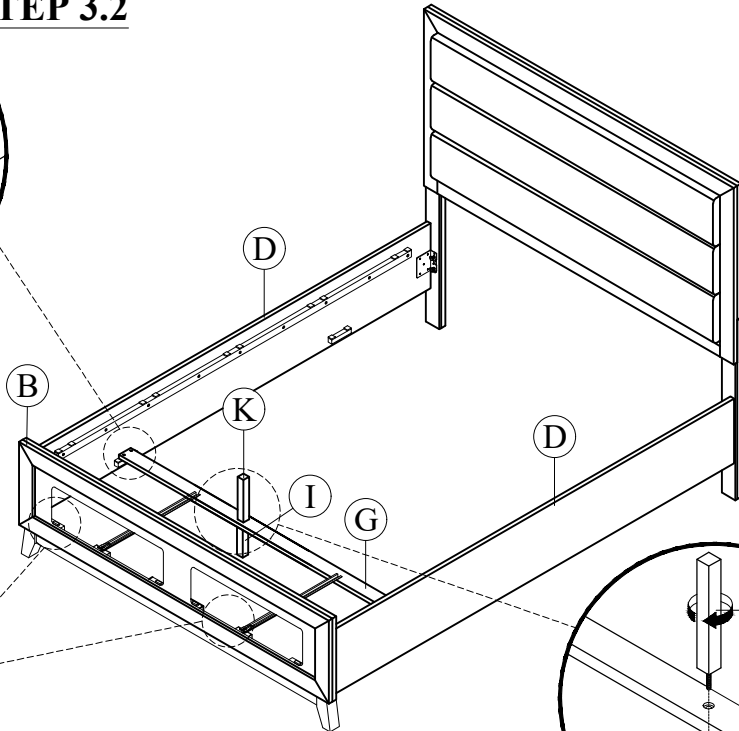
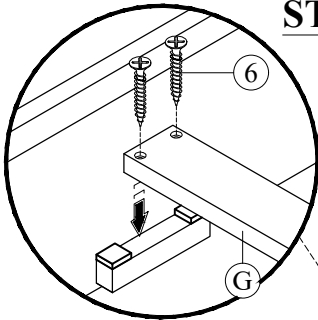
## STEP 2



# Assembly Instructions

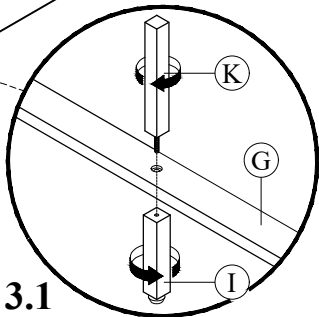
## STEP 3

### STEP 3.2



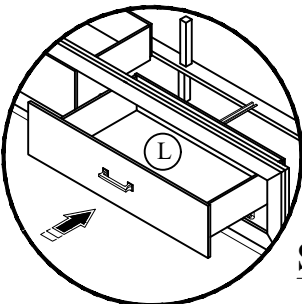
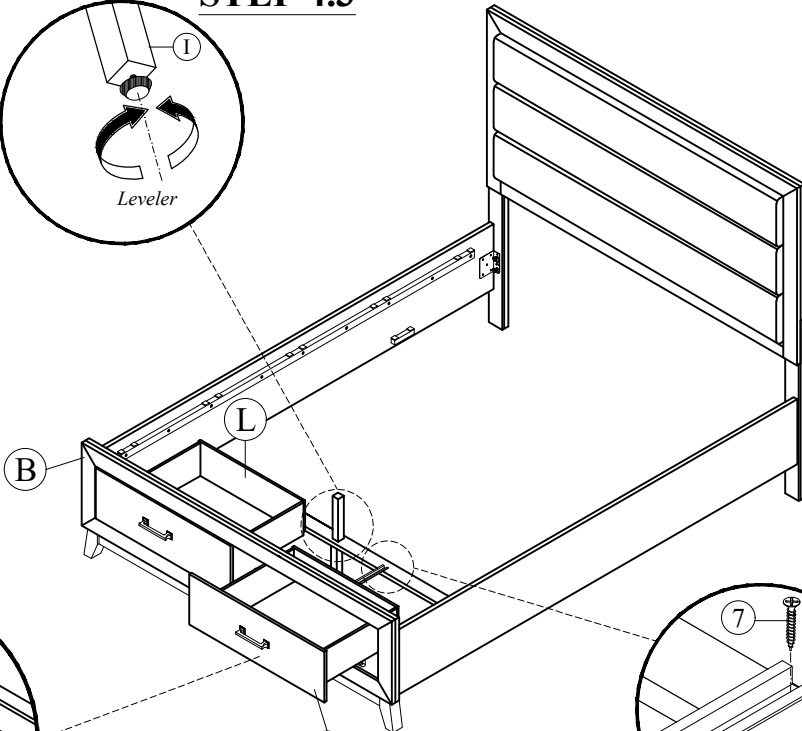
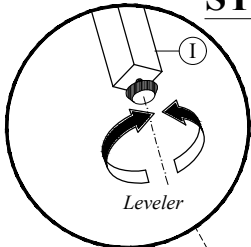
### STEP 3.3

### STEP 3.1



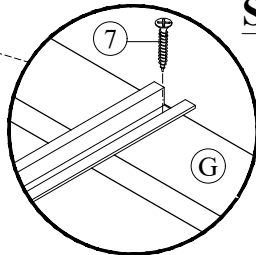
## STEP 4

### STEP 4.3



### STEP 4.1

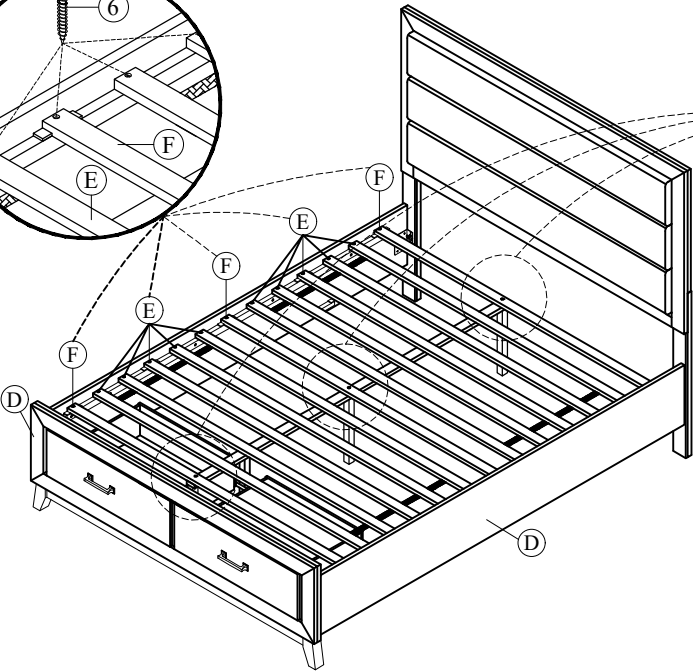
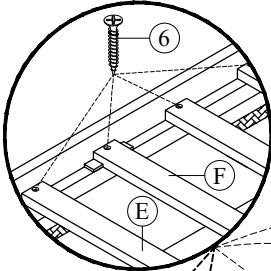
### STEP 4.2



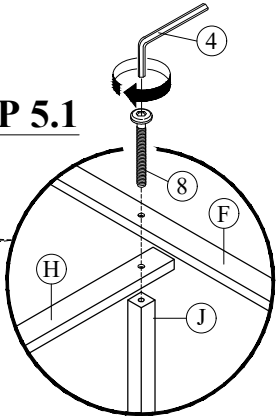
# Assembly Instructions

## STEP 5

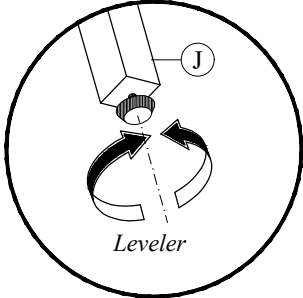
### STEP 5.3



### STEP 5.1



### STEP 5.2



## STEP 6

