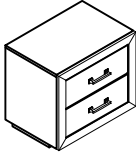
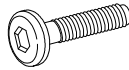
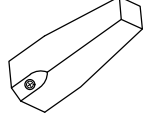



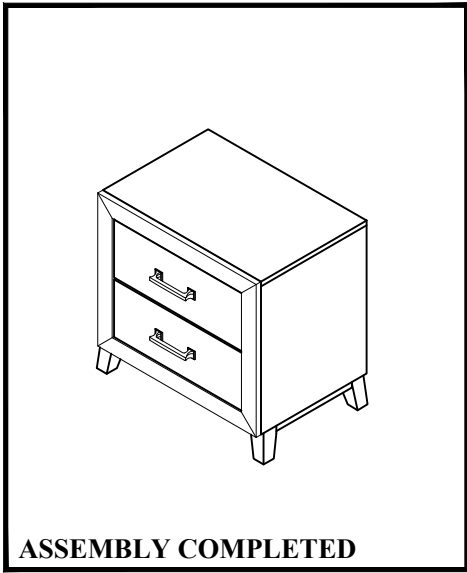
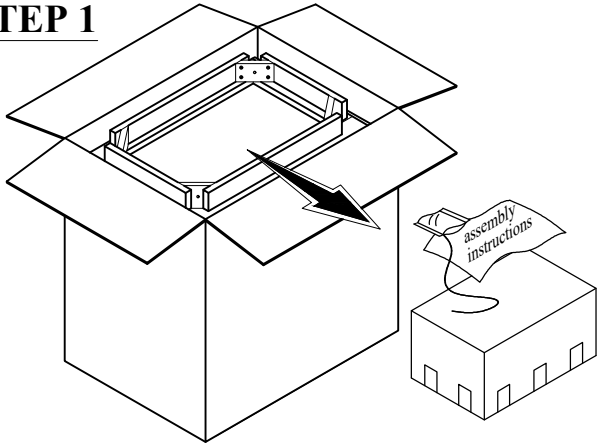


NO	PARTS LIST		QTY.	NO	HARDWARE LIST		QTY.
A		Night Stand	1pc.	1		JCBC M6 x 60mm	4pcs.
B		Feet	4pcs.	2		Spring Washer Ø1/4"	4pcs.
				3		Flat Washer Ø1/4" x 20mm	4pcs.
				4		L Key M4 x 100mm	1pc.



STEP 1 : Rotate the carton box and open it from below. Then, take out assembly instructions sheet, hardware pack and feet packaging from bottom of night stand which marked with the rope.

STEP 1



STEP 2 : Align & fasten Feet (B) to Night Stand (A). Fasten the feet using JCBC (1), Flat Washer (3) and Spring Washer (2) until fully tighten with L Key M4 (4).

STEP 2

