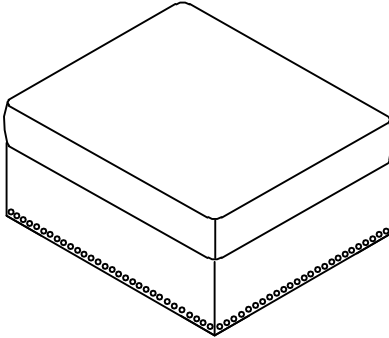
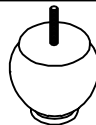
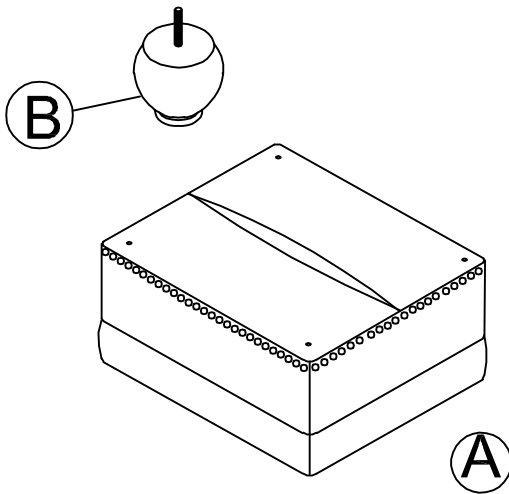


# ITEM : 4530-O

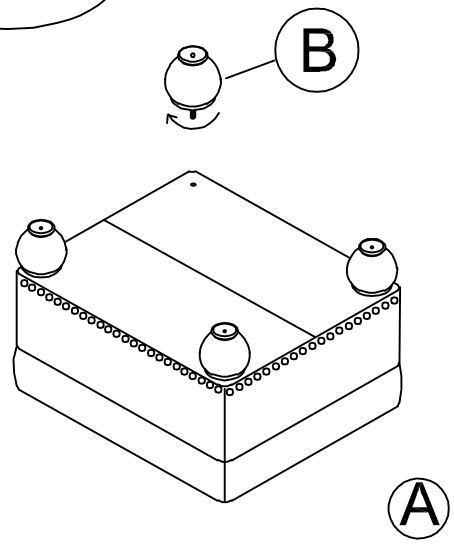
## PARTS LIST

NO	DESCRIPTION	PART	QTY
A	OTTOMAN		1pc
B	LEG		4pcs

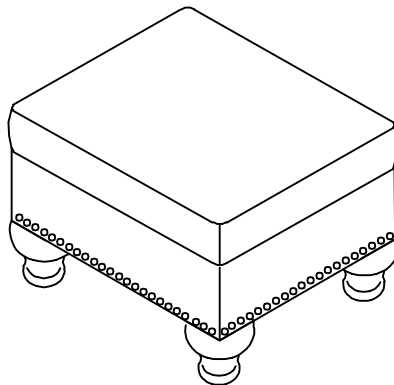
**STEP 1**



**STEP 2**



**FINISH**



# LEGS INSIDE SEAT DECK