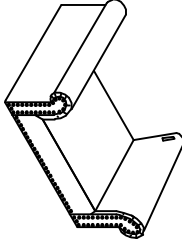
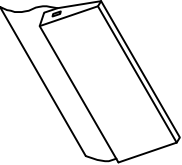
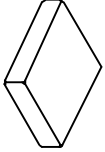
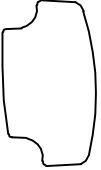
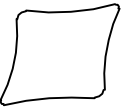

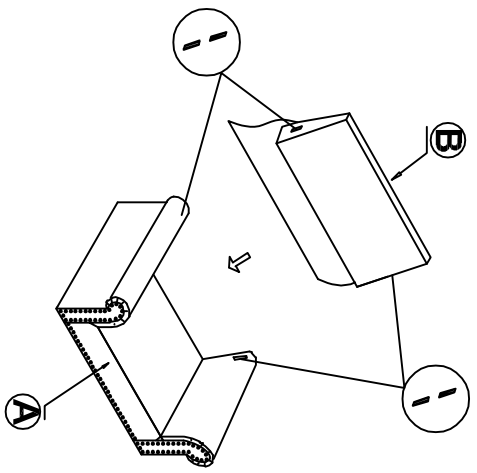


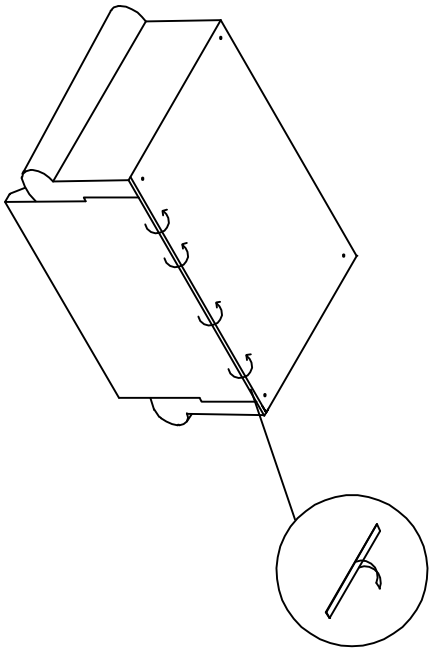
**ITEM : 4530-C**  
PARTS LIST

NO	DESCRIPTION	PART	QTY
A	SEAT		1pc
B	BACK		1pc
C	CUSHIONS		1pc
D	BACK PILLOWS		1pc
E	THROW PILLOWS		1pc
F	LEGS		4pcs

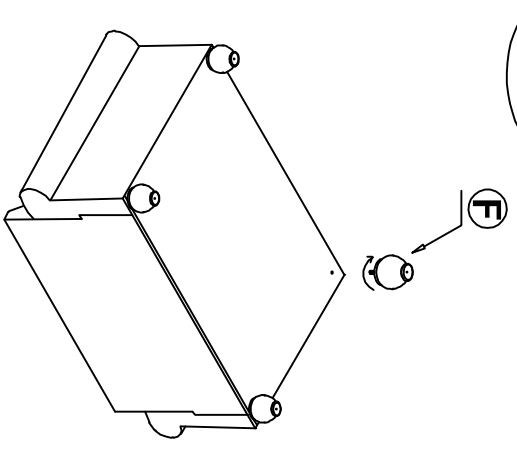
**STEP 1**



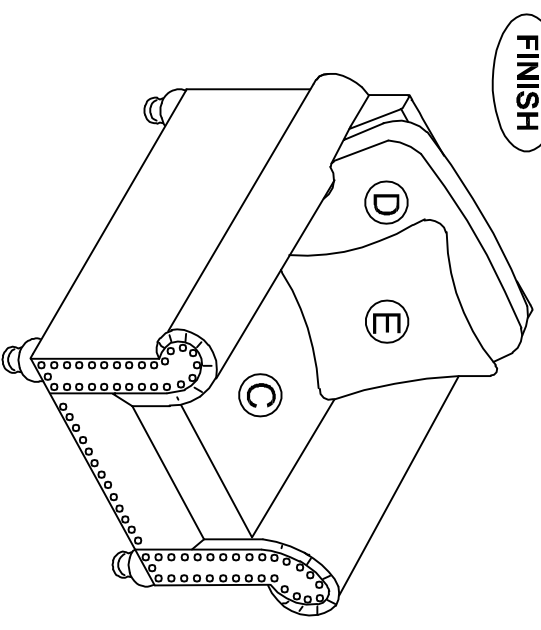
**STEP 2**



**STEP 3**



**FINISH**



**Please Check Underneath Seat Deck For Any Parts That May Be Inside**