

ASSEMBLY INSTRUCTIONS

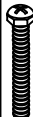



COLOURS FIX ROUND TABLE

Read this instruction carefully. Refer hardware and furniture parts list for guidance. Be sure all parts are complete, before assembling. Place all wooden furniture part on a clean and flat soft surface to prevent scratches. Refer steps provided as assembling guide.

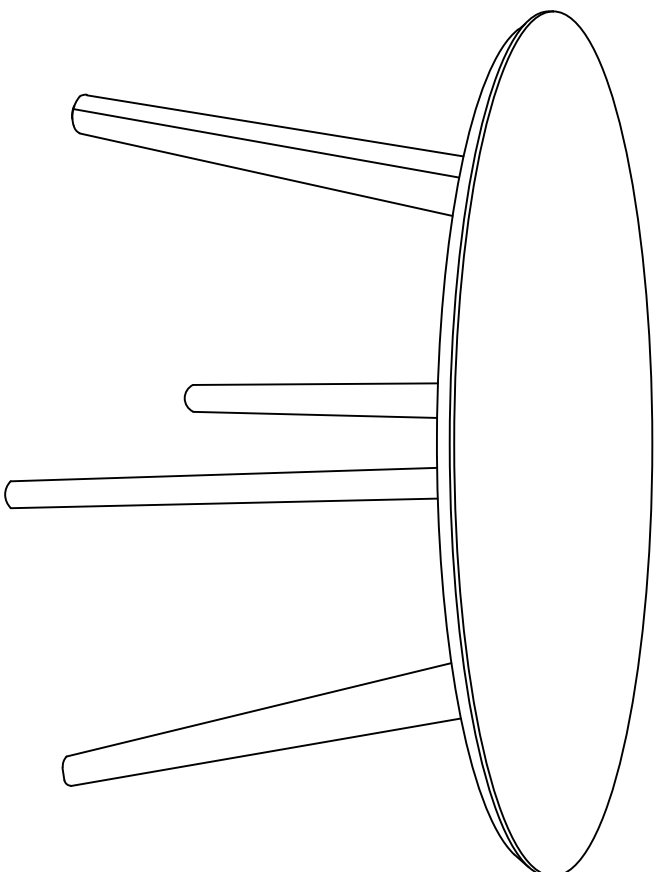
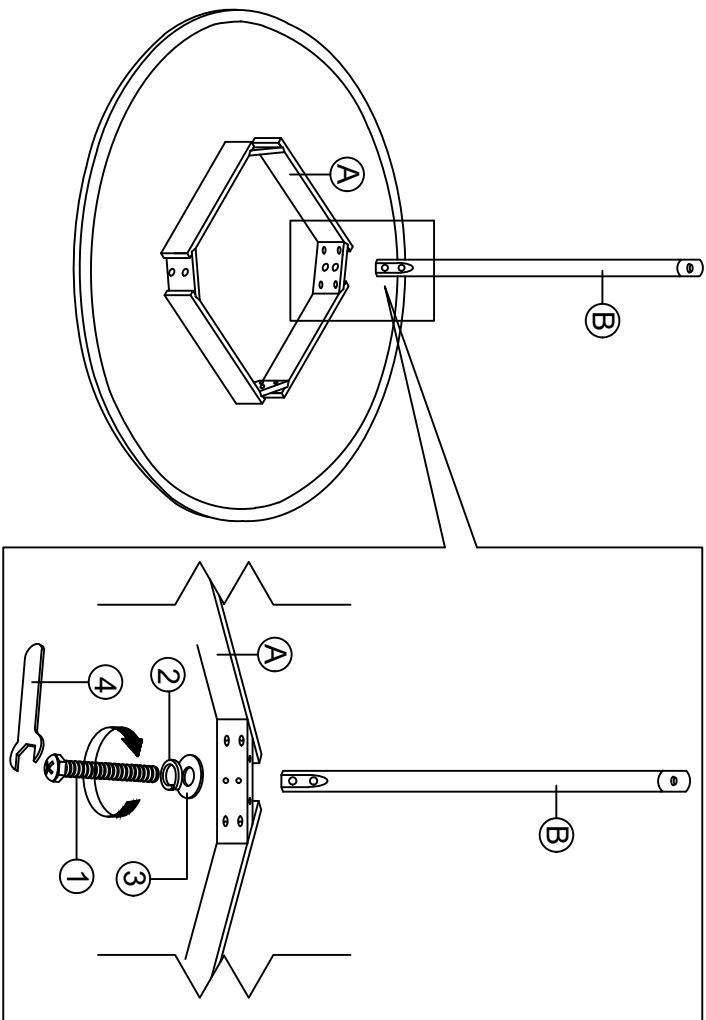
CAUTIONS :

1. Do not FULLY-TIGHTEN the nuts or nut bolts until all are in place.
2. To prevent thread damage. Ensure that nuts or nut bolts are not over-tighten.
3. Hardware are to be kept out of reach from children.

| PART LIST | | |
|-----------|-------------|-------|
| ITEM | DESCRIPTION | QTY |
| A | TABLE TOP | 1 PC |
| B | LEG | 2 PCS |

| HARDWARE LIST | | |
|---------------|---|-------|
| ITEM | DESCRIPTION | QTY |
| 1 | HEX COMB (NYLON) 5/16" x 3"  | 8 PCS |
| 2 | SPRING WASHER 5/16"  | 8 PCS |
| 3 | FLAT WASHER 5/16"  | 8 PCS |
| 4 | SPANNER 12.8MM  | 1 PC |

STEP 1



COMPLETED ASSEMBLY