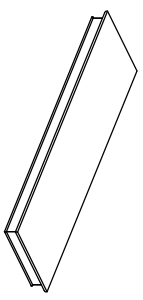
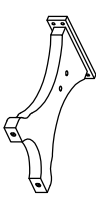
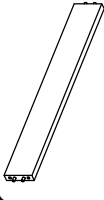





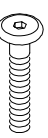
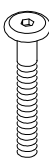



ASSEMBLY INSTRUCTIONS

Group Name: Catherine
 Description: Counter Bench
 Item No: TN320-CB

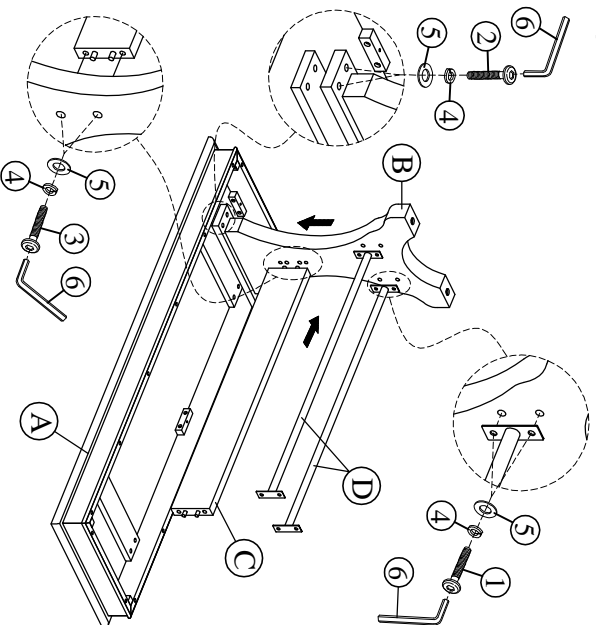
LIST OF PARTS

A. Seat frame  1pc	B. Base leg  2pcs	C. Wooden Stretcher  1pc
D. Metal Stretcher  2pcs	E. Wooden plugs  4pcs	

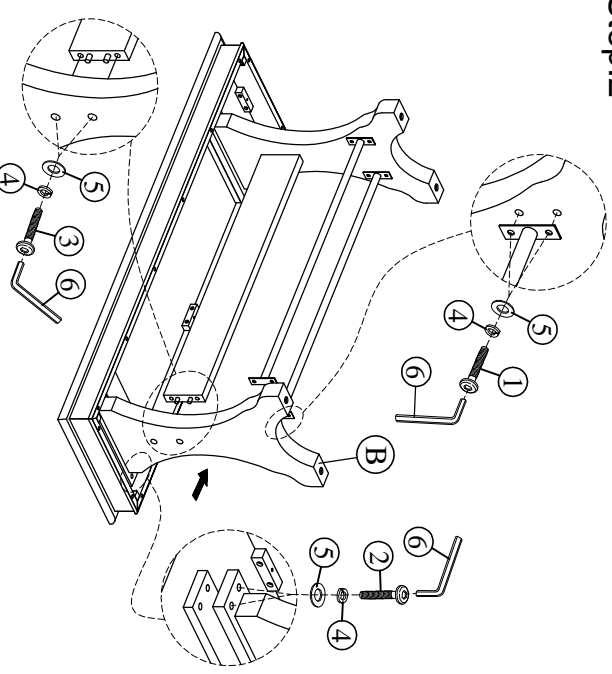
LIST OF HARDWARE

1. Short Bolt  5/16" x 20mm(8pcs)	2. Medium Bolt  5/16" x 35mm(8pcs)
3. Long Bolt  5/16" x 60mm(4pcs)	4. Spring Washer  5/16" (20pcs)
5. Flat Washer  5/16" x 16mm(20pcs)	6. Allen key  4mm(1 pc)

Step.1



Step.2



Step.3

