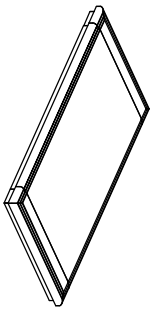


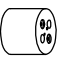


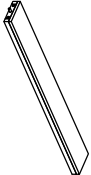





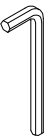


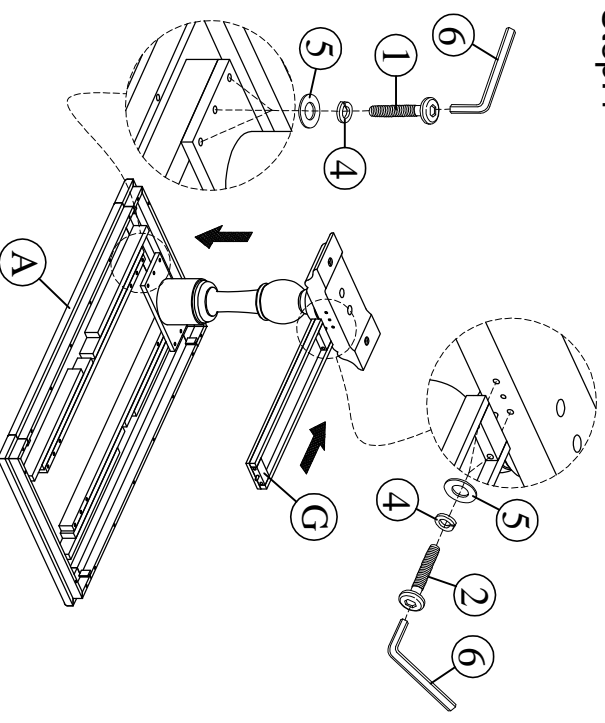
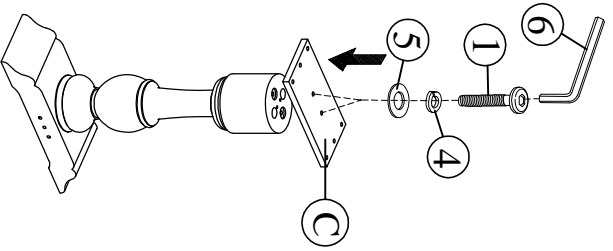
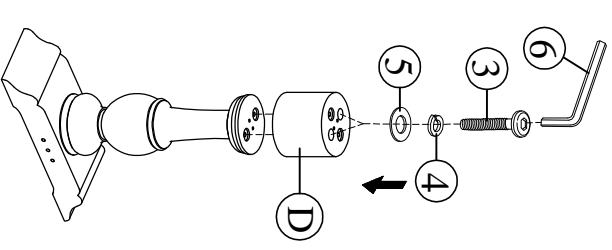
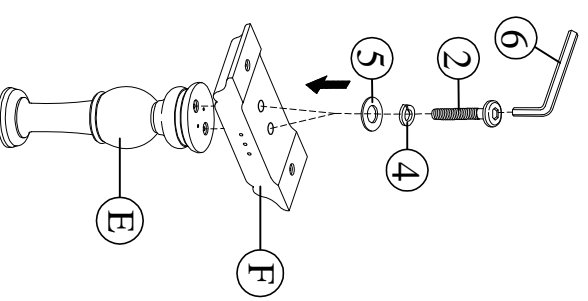
ASSEMBLY INSTRUCTIONS

Group Name: Cassidy

Description: Small Counter Table

Item No: TN-304-CTT & TN-304-CTB

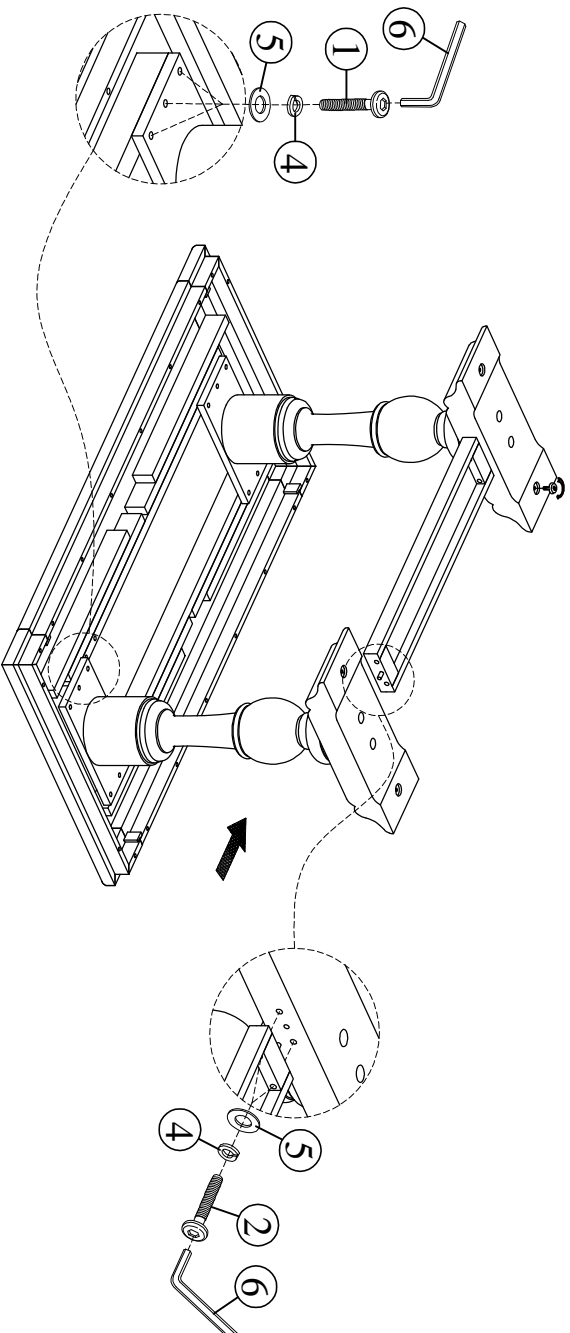
LIST OF PARTS			
A. Top Table 		Step.1	
B. Leaf  2pcs	C. Mounting rail  2pcs	Step.2	
D. Adjustable foot  2pcs	E. Pedestal  2pcs	Step.3	
F. Base  1L,1R	G. Stretcher  1pc	Step.4	
LIST OF HARDWARE			
1. Bolt  5/16" x 45mm(16pcs)	2. Bolt  5/16" x 80mm(6pcs)		
3. Bolt  5/16" x 95mm(4pcs)	4. Spring Washer  5/16" (26pcs)		
5. Flat Washer  5/16" x 19mm(26pcs)	6. Allen key  4mm(1 pc)		



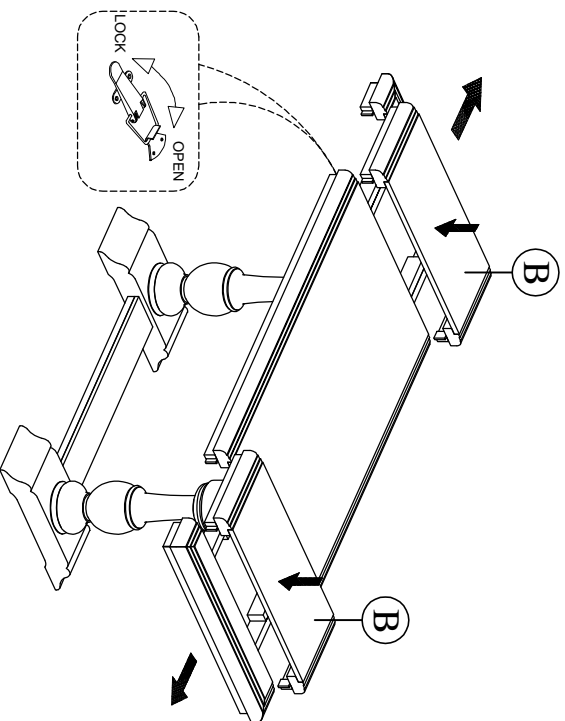
ASSEMBLY INSTRUCTIONS

Group Name: Cassidy
Description: Small Counter Table
Item No: TN-304-CTT & TN-304-CTB

Step.5



Step.6



Completed

