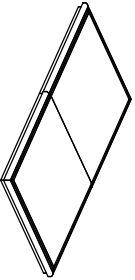
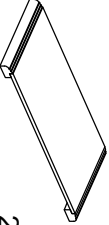
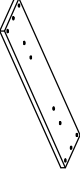
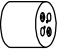

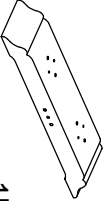
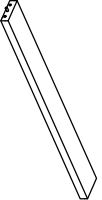





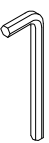


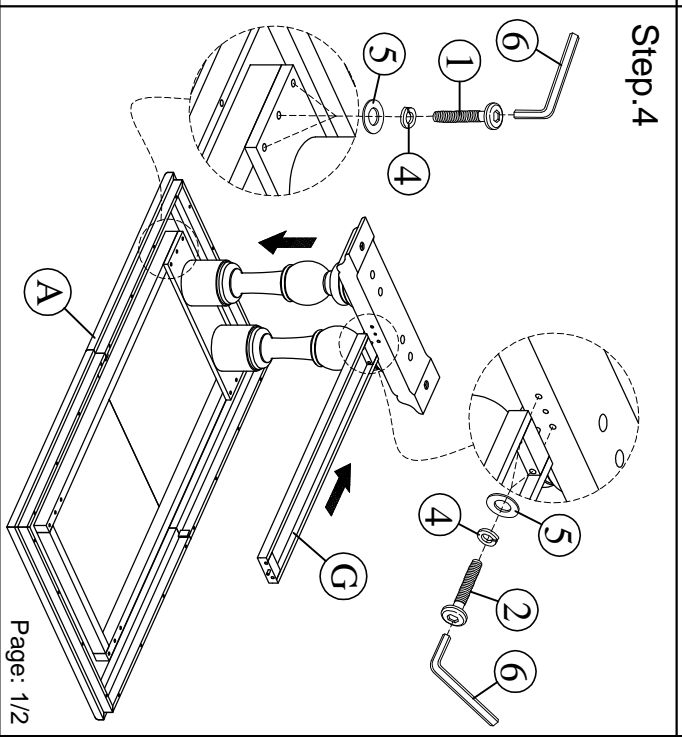
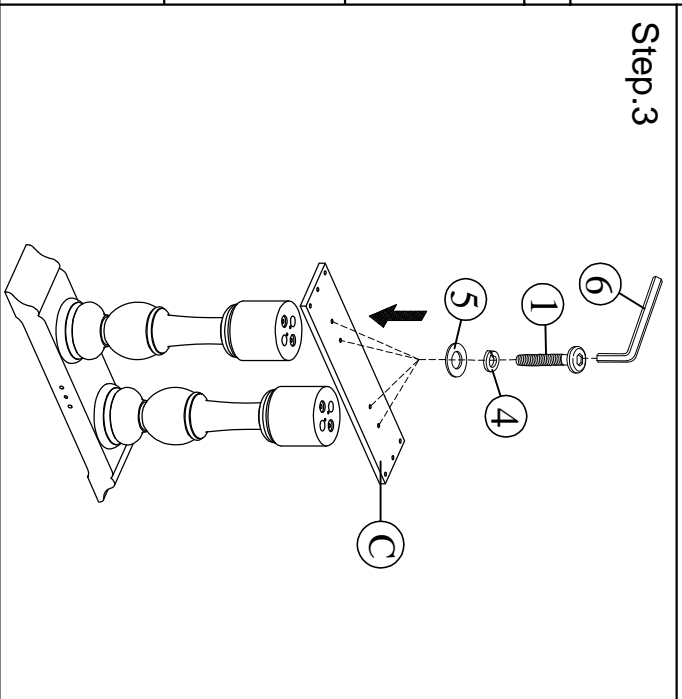
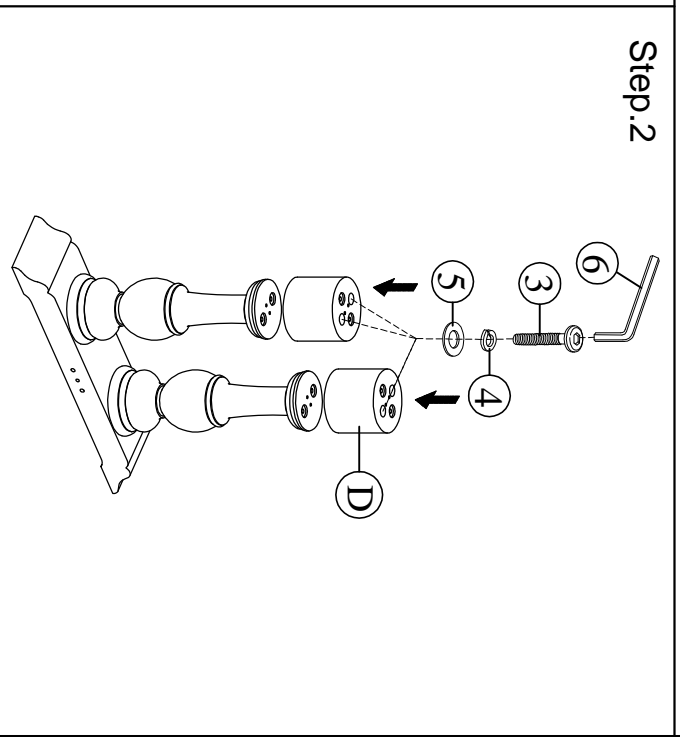
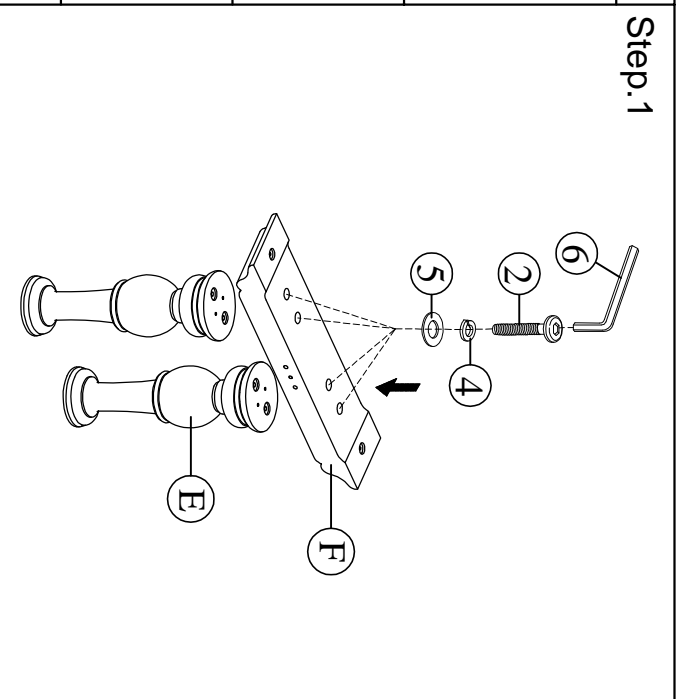
# ASSEMBLY INSTRUCTIONS

Group Name: Cassidy

Description: Large Counter Table

Item No: TN-304-XLTT&TN-304-XLTB

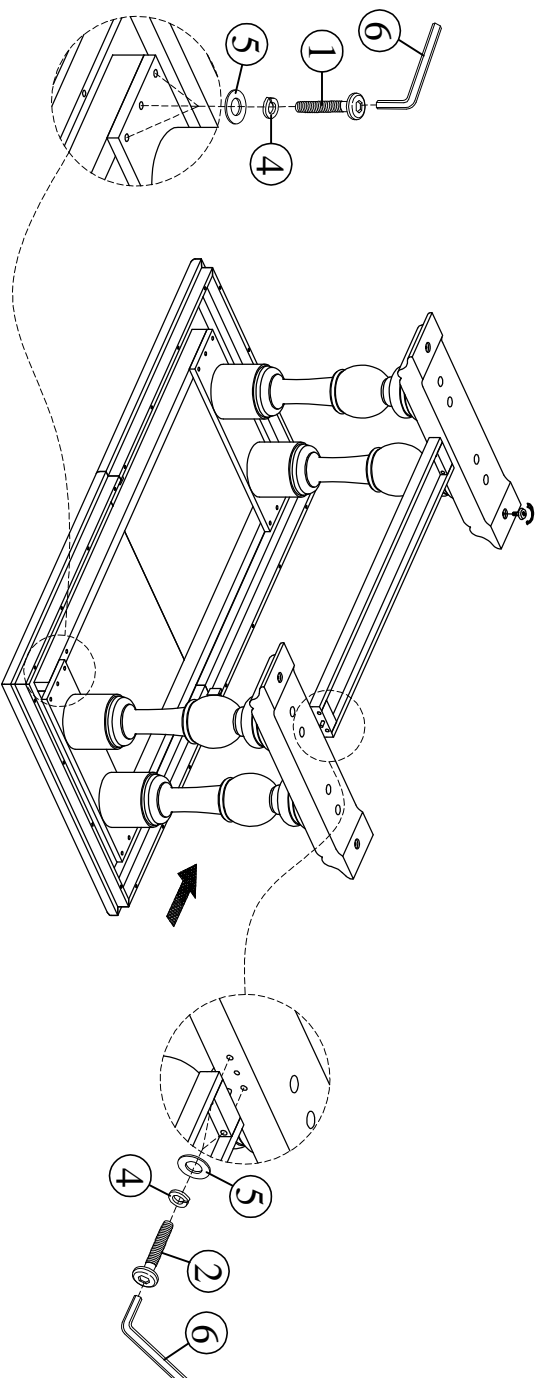
| LIST OF PARTS   |                     |
|---|---------------------|
| <b>A. Top Table</b><br>      | 1pc                 |
| <b>B. Leaf</b><br>            | 2pcs                |
| <b>C. Mounting plate</b><br> | 2pcs                |
| <b>D. Adjustable foot</b><br>  | 4pcs                |
| <b>E. Pedestal</b><br>         | 4pcs                |
| <b>F. Base</b><br>             | 1L,1R               |
| <b>G. Stretcher</b><br>        | 1pc                 |
| LIST OF HARDWARE  |                     |
| <b>1. Bolt</b><br>             | 5/16" x 45mm(20pcs) |
| <b>2. Bolt</b><br>             | 5/16" x 80mm(10pcs) |
| <b>3. Bolt</b><br>             | 5/16" x 95mm(8pcs)  |
| <b>4. Spring Washer</b><br>    | 5/16" (38pcs)       |
| <b>5. Flat Washer</b><br>      | 4mm(1 pc)           |
| <b>6. Allen Key</b><br>        | 4mm(1 pc)           |



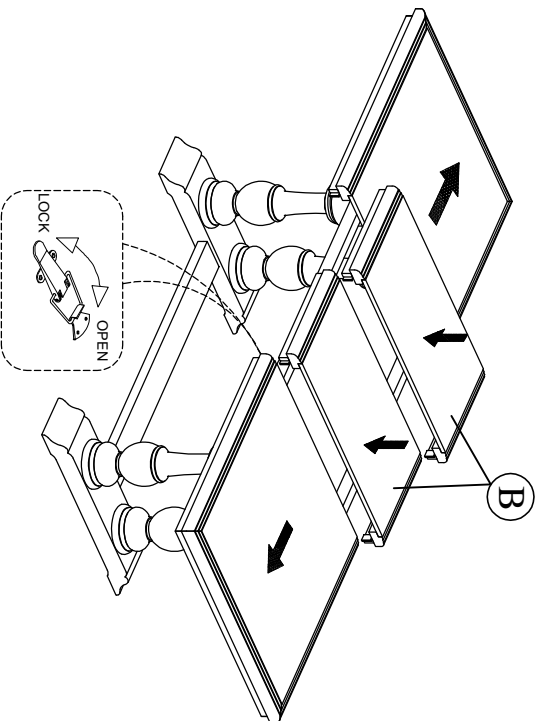
# ASSEMBLY INSTRUCTIONS

**Group Name: Cassidy**  
**Description: Large Counter Table**  
**Item No: TN-304-XLTT&TN-304-XLTB**

## Step.5



## Step.6



## Completed

