

# ASSEMBLY INSTRUCTIONS

## ROUND EXTENSION LEAF TABLE

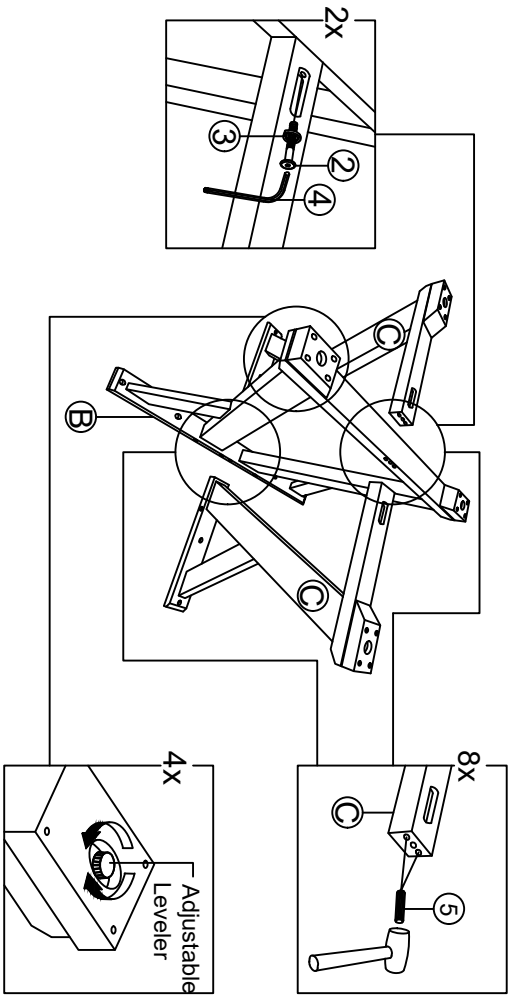
Read this instruction carefully. Refer hardware and furniture parts list for guidance. Be sure all parts are complete, before assembling. Place all wooden furniture part on a clean and flat soft surface to prevent scratcheds. Refer steps provided as assembling guide.

**CAUTIONS :**

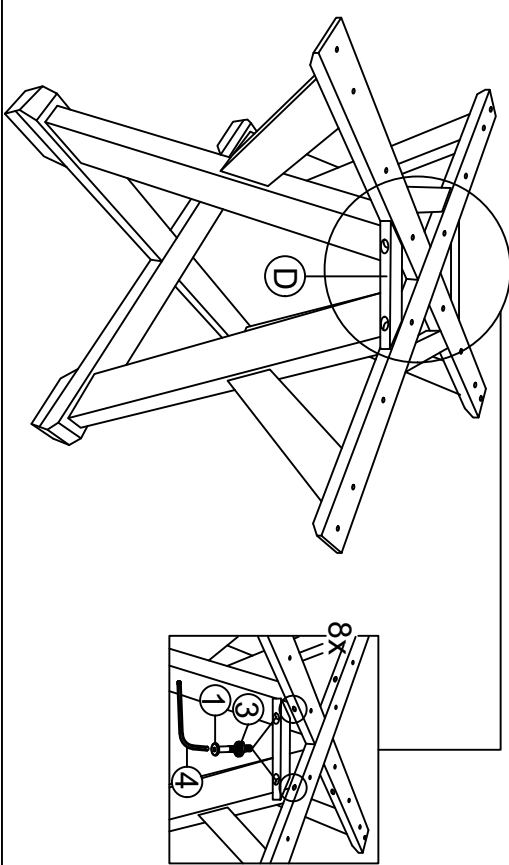
1. Do not FULLY-TIGHTEN the nuts or nut bolts until all are in place.
2. To prevent thread damage, Ensure that nuts or nut bolts are not over-tighten.
3. Hardware are to be kept out of reach from children.

PART LIST			HARDWARE LIST		
ITEM	DESCRIPTION	QTY	ITEM	DESCRIPTION	QTY
A	TABLE TOP	1 PC	1	JCBC SCREW M6 X 40MM	16 PCS
B	TABLE LEG 1	1 PC	2	JCBC SCREW M6 X 50MM	2 PCS
C	TABLE LEG 2	2 PCS	3	SPRING WASHER 1 / 4 "	18 PCS
D	CORNER BLOCK	4 PCS	4	ALLEN KEY ( BALL SHAPE ) M4	1 PC
			5	WOOD DOWEL Ø10X35mm	8 PCS

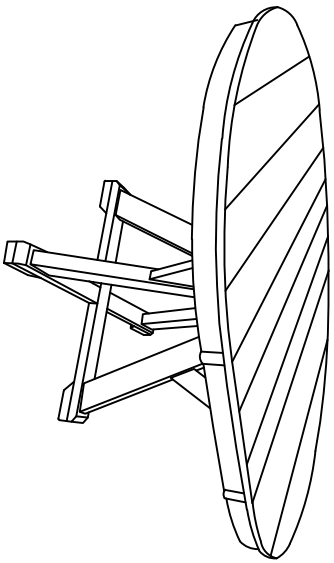
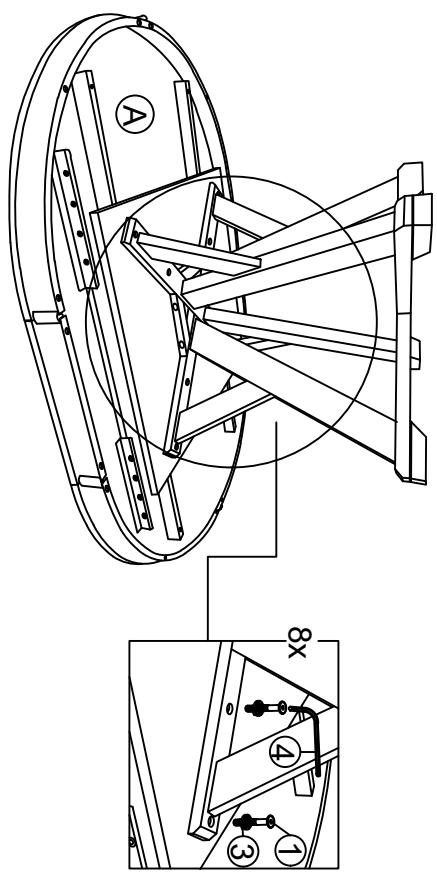
**STEP 1**



**STEP 2**



**STEP 3**



COMPLETED ASSEMBLY