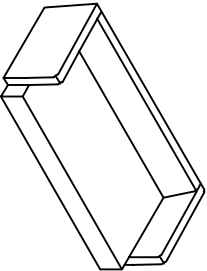

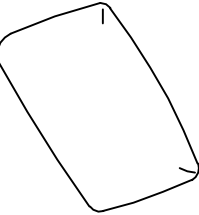
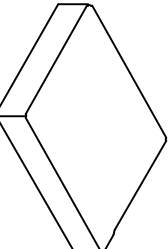

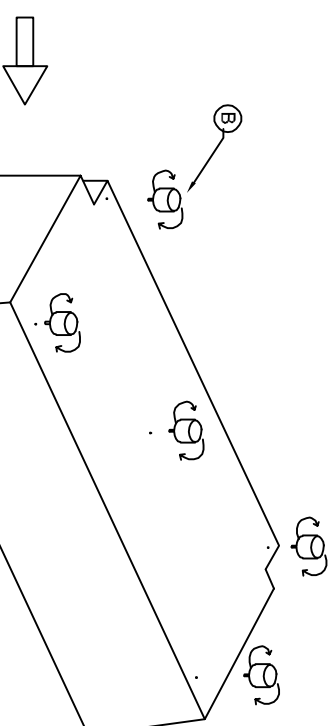
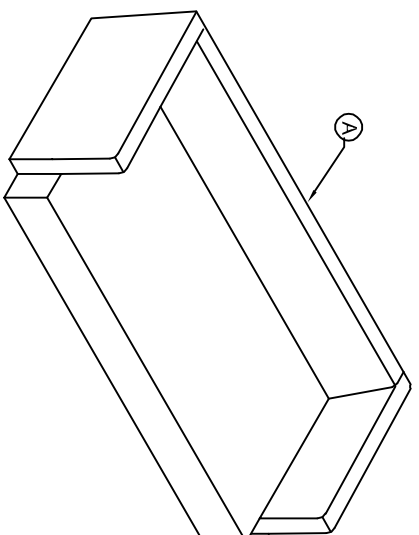


# ITEM : 4622-S

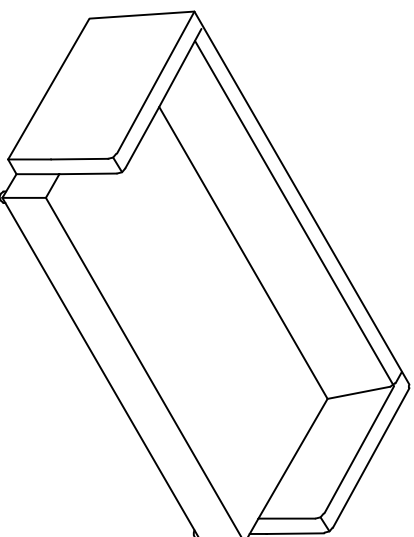
## PARTS LIST

NO	DESCRIPTION	PART	QTY
A	SEAT FRAME		1pc
B	LEGS		5pcs
C	BACK PILLOWS		2pcs
D	LEFT AND RIGHT CUSHIONS		2pcs
E	THROW PILLOWS		4pcs

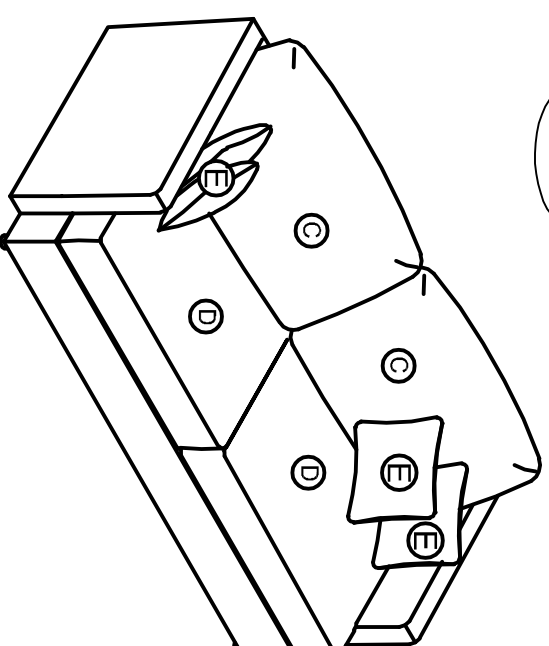
### STEP 1



### STEP 2



### FINISH



**Please Check Underneath Seat Deck For Any Parts That May Be Inside**