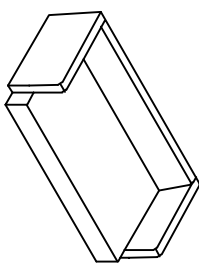

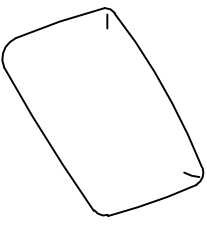
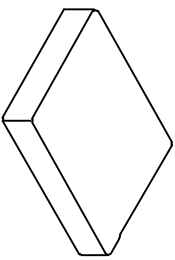

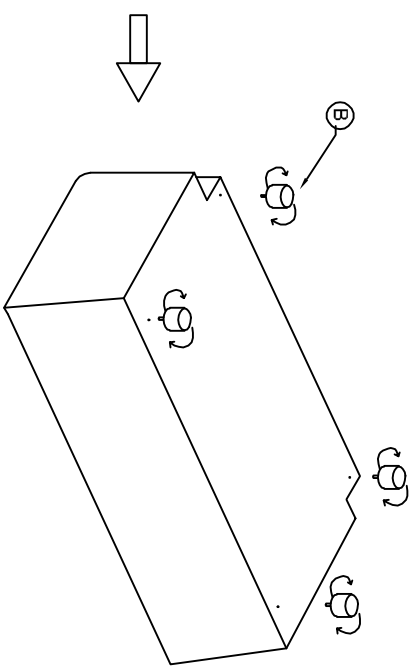
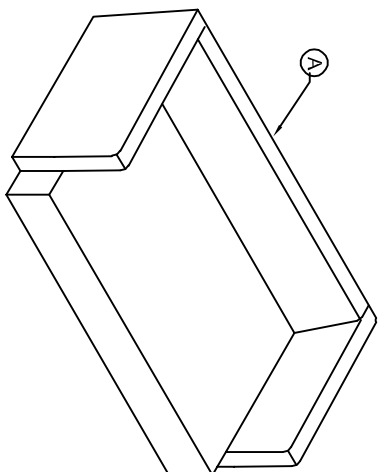


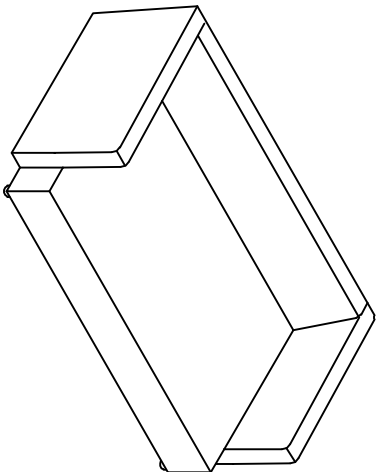
**ITEM : 4622-L**  
PARTS LIST

NO	DESCRIPTION	PART	QTY
A	SEAT FRAME		1pc
B	LEGS		4pcs
C	BACK PILLOWS		2pcs
D	LEFT AND RIGHT CUSHIONS		2pcs
E	THROW PILLOWS		2pcs

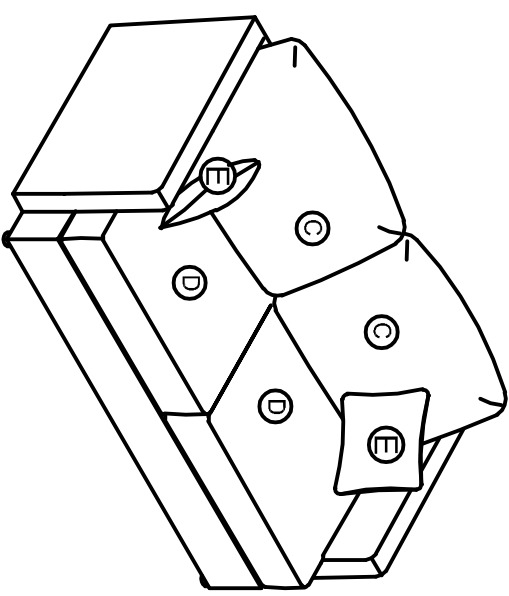
**STEP 1**



**STEP 2**



**FINISH**



**Please Check Underneath Seat Deck For Any Parts That May Be Inside**