

ASSEMBLY INSTRUCTIONS FOR

- B1288-QHB QUEEN PANEL BED HEADBOARD**
- B1288-QFB QUEEN PANEL BED FOOTBOARD + SLATS**
- B1288-Q/KRS QUEEN/ KING PANEL BED SIDERAILS**

Caution: Please read instructions thoroughly before unpacking assembly parts. Sharp, exposed staple tips can cause injury, therefore, for your protection, please remove any exposed staple used in packing.

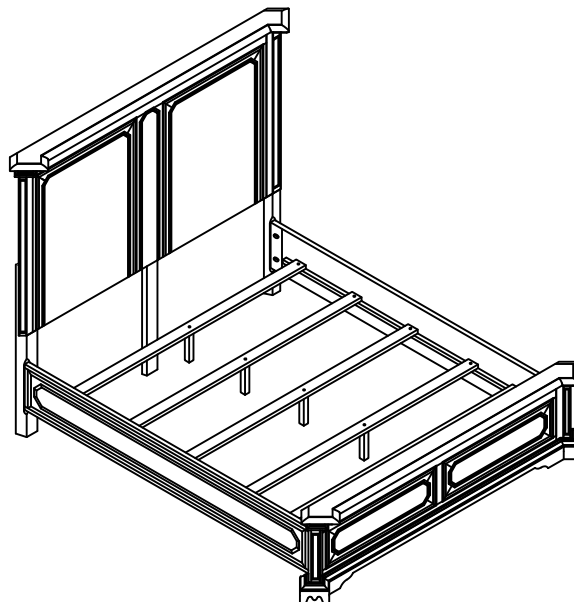
1. We recommend that you should assemble this product with the assistance of another person; this will make assembly easier, and will help to eliminate damage to the product or injury to persons during assembly.
2. Be sure to check all packing materials carefully for small parts that may have come loose inside the carton during shipment.
3. please do not over tighten screws or bolts.
4. Please put all parts on a non-abrasive floor before assembly, and follow the assembly steps to assemble your newly purchased product correctly and efficiently.

PART LIST

NO:	SKETCH	DESCRIPTION	Q'TY
A		Head Board	1 Pc
B		Head Board Legf	2PCS L = 1 R = 1
C		HB Bottom Rail	1 Pc
D		Foot Board	1 Pc
E		Side Rail	2 Pcs
F		Slats	5 Pcs
G		Support With Leveler	5 Pcs

HARDWARE LIST

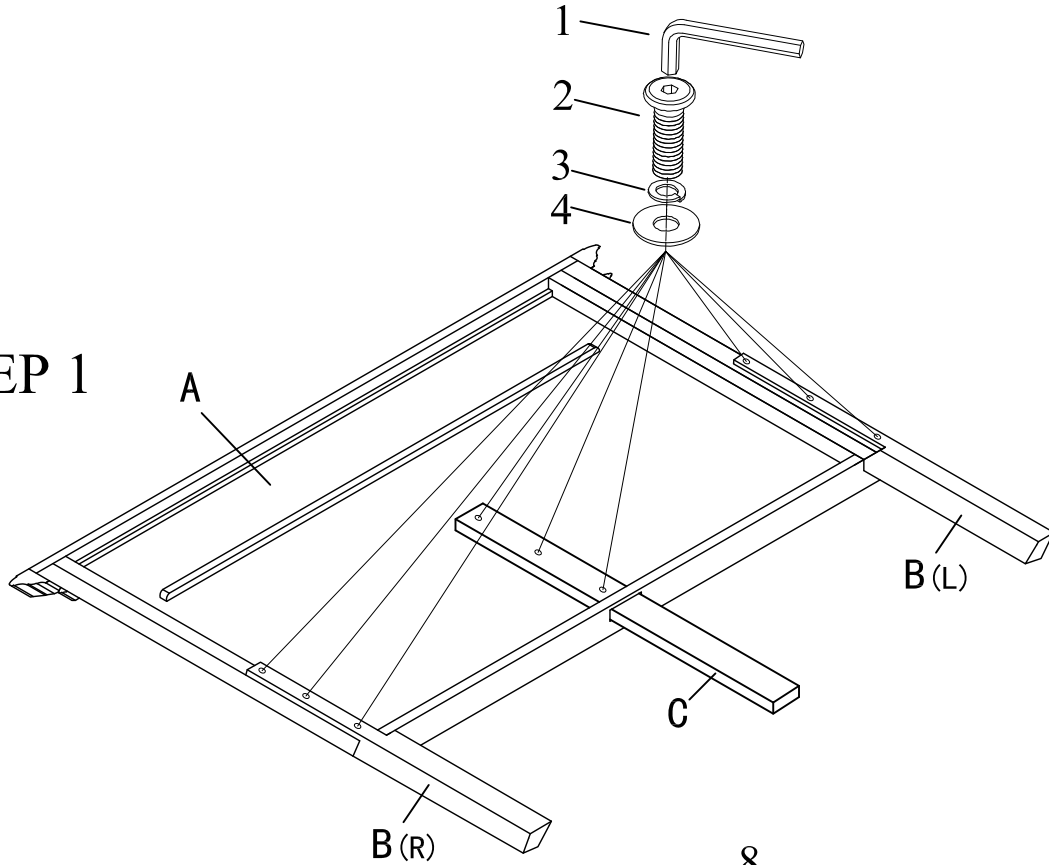
NO:	SKETCH	DESCRIPTION	Q'TY
1		Allen Key	1 Pc
2		JCBC Bolt 5/16" *45mm	9Pcs
3		Spring Washer 5/16" * 11mm	9Pcs
4		Flat Washer 5/16" * 19mm	9Pcs
5		Allen Key	1 Pcs
6		HEX NUT	8 Pcs
7		U Washer	8 Pcs
8		THREAD BOLT	8 Pcs
9		Screw: # 8 X 30mm	10Pcs



ASSEMBLY INSTRUCTIONS FOR

B1288-QHB QUEEN PANEL BED HEADBOARD
B1288-QFB QUEEN PANEL BED FOOTBOARD + SLATS
B1288-Q/KRS QUEEN/ KING PANEL BED SIDERAILS

STEP 1



STEP 2

