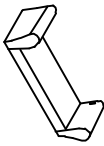

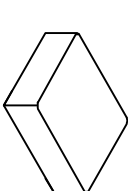


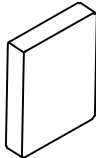
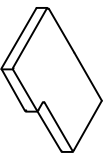





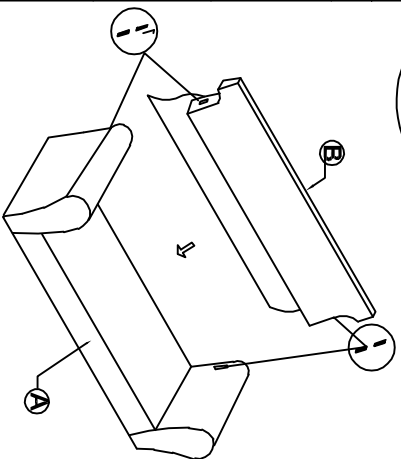


# ITEM : 4570-C

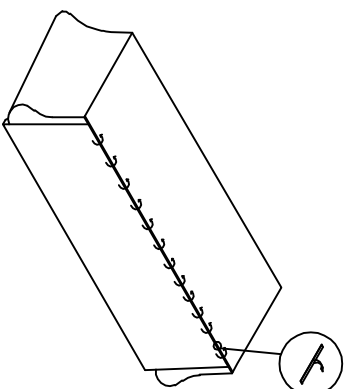
## PARTS LIST

NO	DESCRIPTION	PART	QTY
A	SEAT		1PC
B	BACK		1PC
C	OTTOMAN		1PC
D	LEGS		8PCS
E	BOLTS		16PCS
F	LEFT+CENTER CUSHION		2PCS
G	RIGHT CUSHION		1PC
H	LEFT BACK PILLOW		1PC
I	RIGHT BACK PILLOW		1PC
J	CENTER BACK PILLOW		1PC
K	THROW PILLOWS		2PCS
L	ARM PILLOWS		1PC

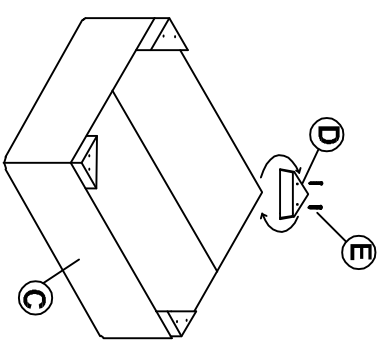
STEP 1



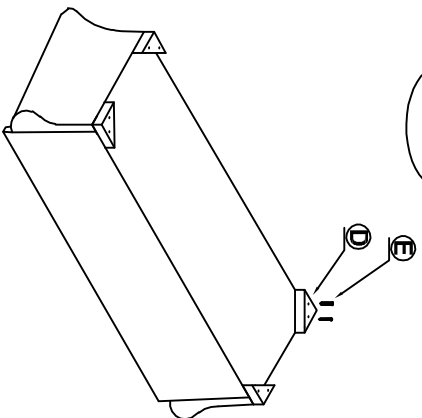
STEP 2



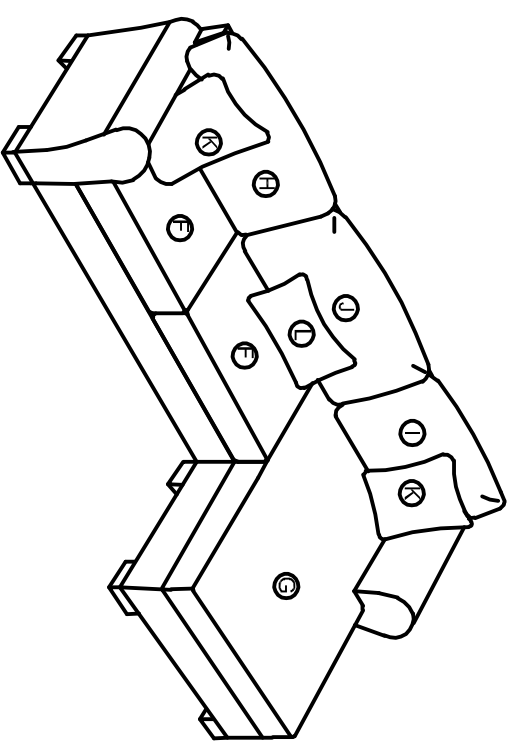
STEP 4



STEP 3



FINISH



Please Check Underneath Seat Deck For Any Parts That May Be Inside