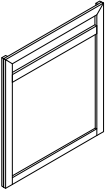
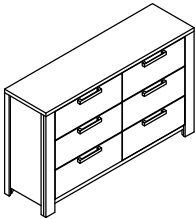


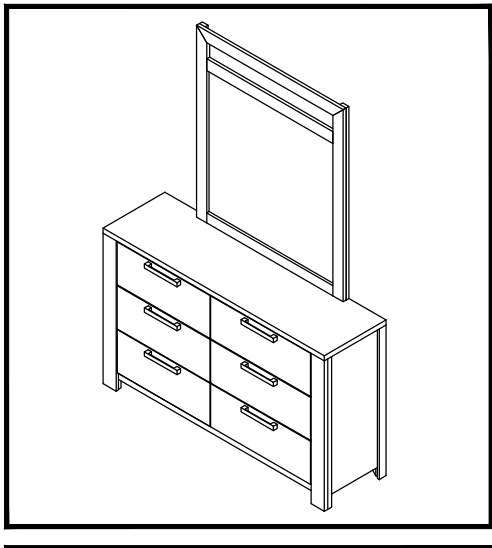
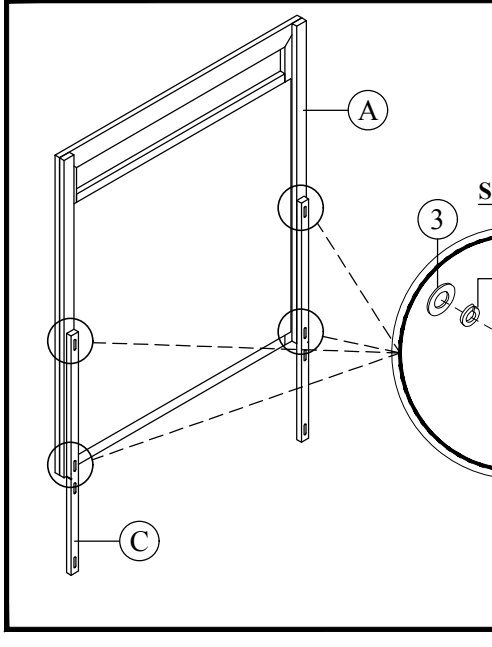
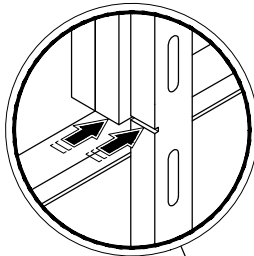


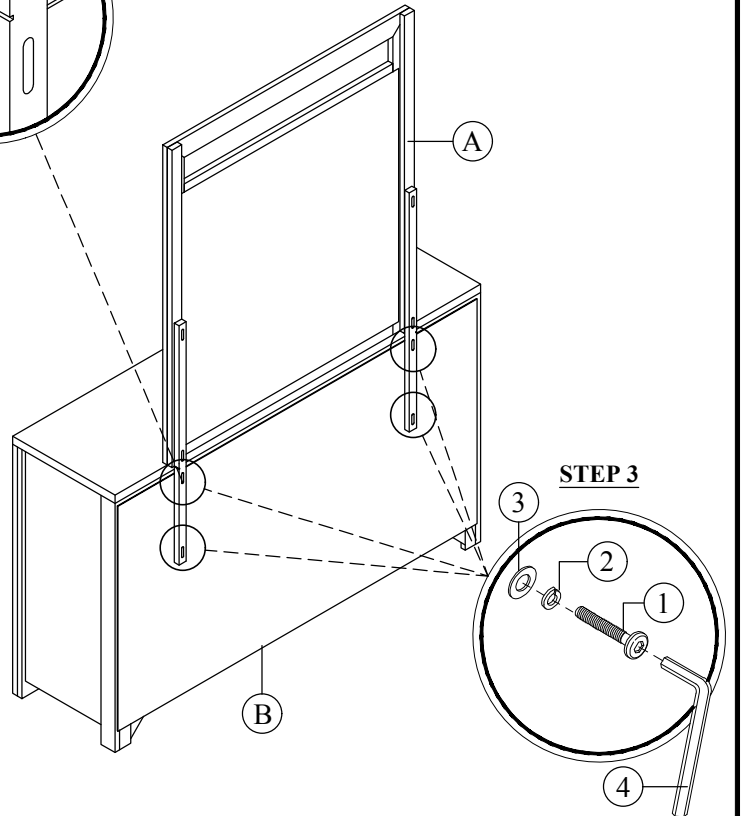
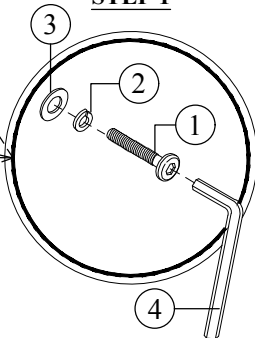
PARTS LIST		HARDWARE LIST	
NO		NO	
A	Mirror	1	JCBC M6 x 35mm
			
B	Dresser	2	Spring Washer Ø1/4"
			
C	Mirror Support Rail	3	Flat Washer Ø1/4" x 20mm
			
		4	L Key M4
			



STEP 2



STEP 1



STEP 3

