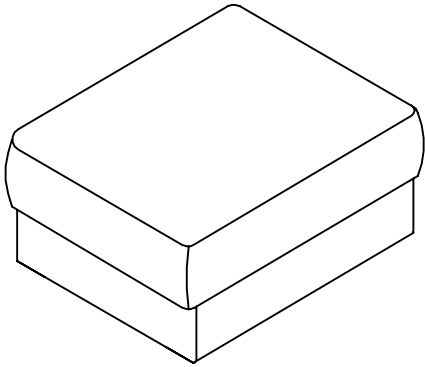
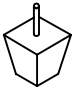


# ITEM:951-O

## PARTS LIST

NO	DESCRIPTION	PART	QTY
A	SEAT		1pc
B	LEG		4pcs

