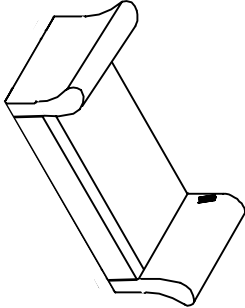
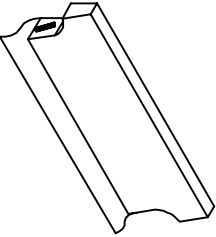
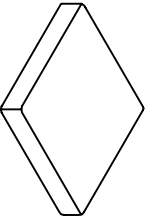
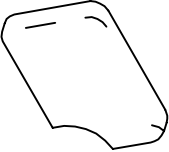


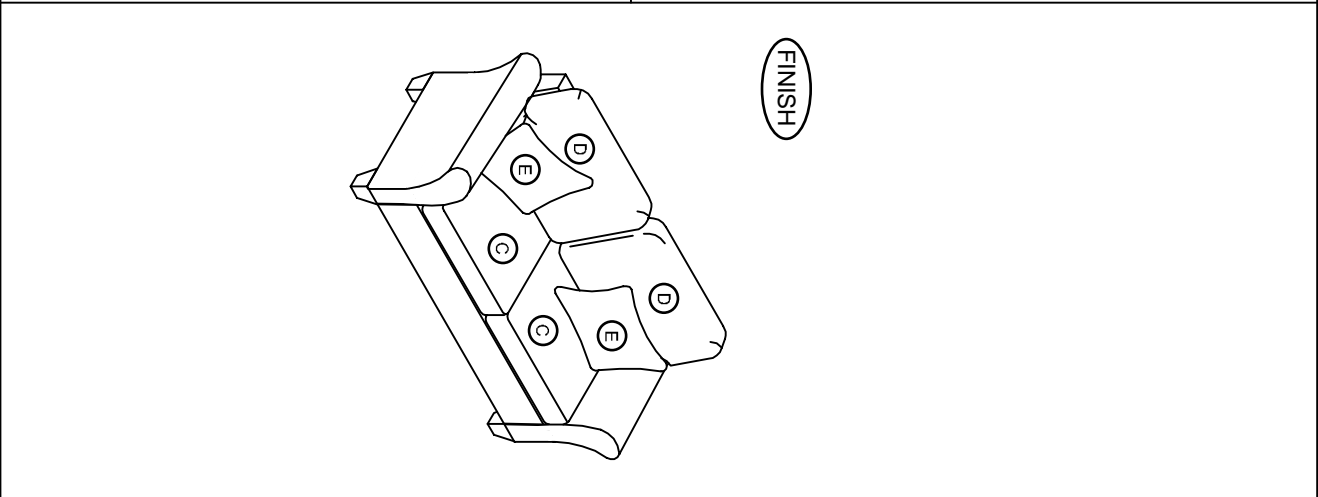
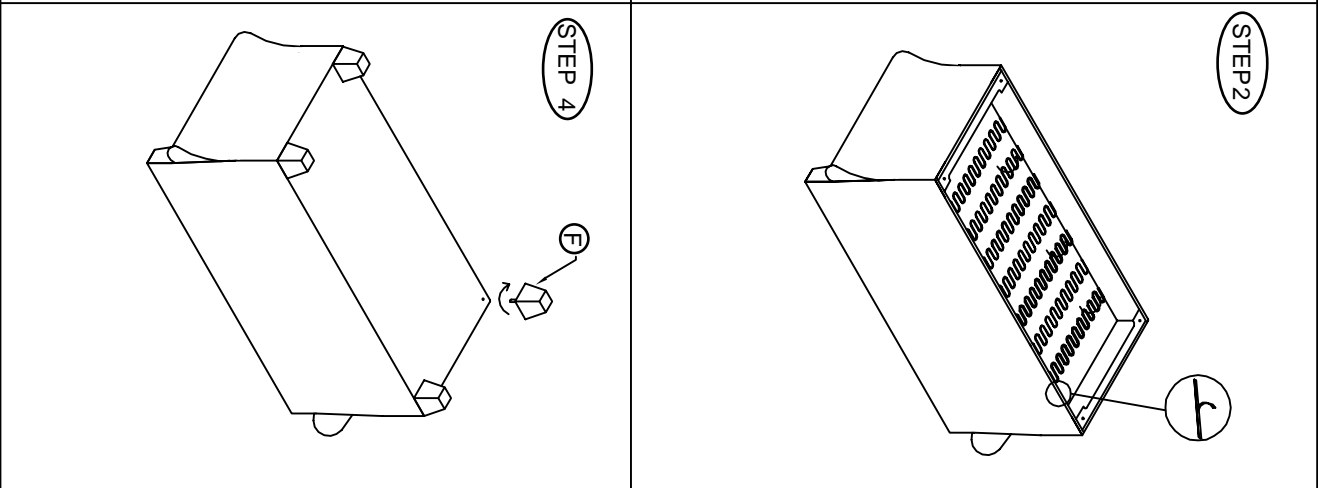
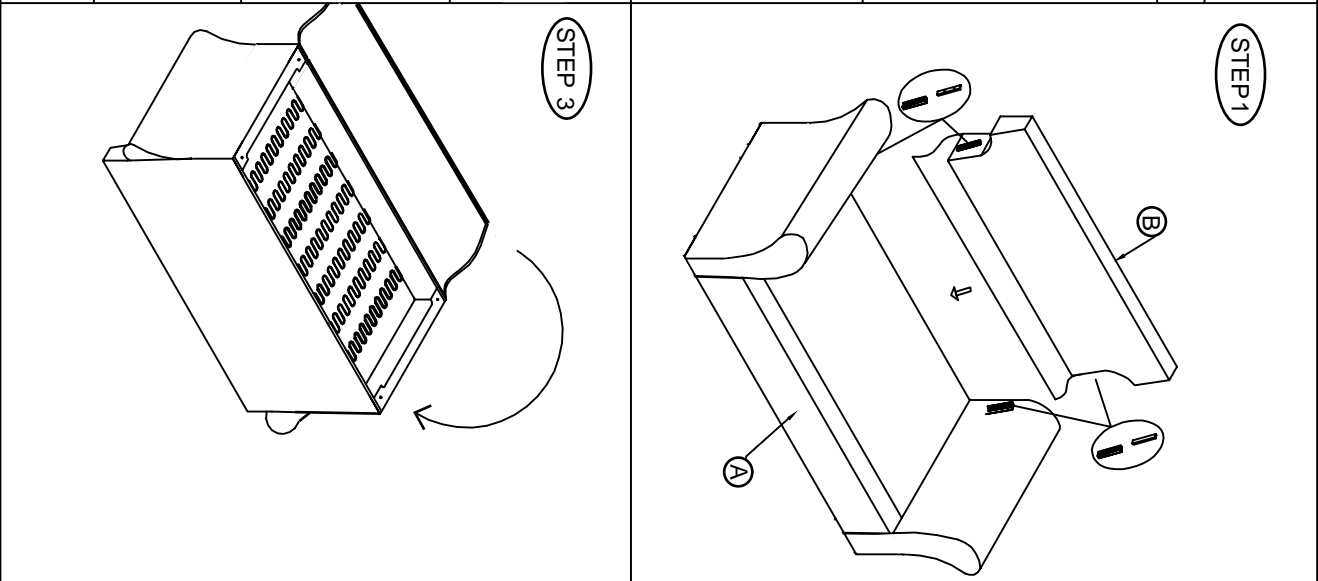


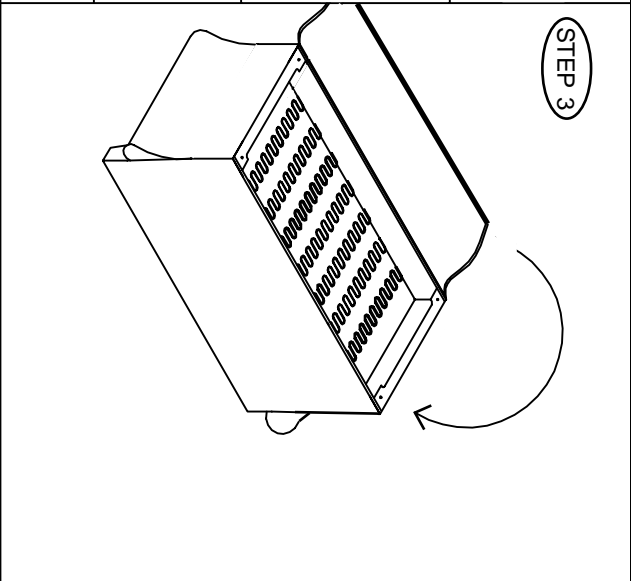
# ITEM:951-LS

## PARTS LIST

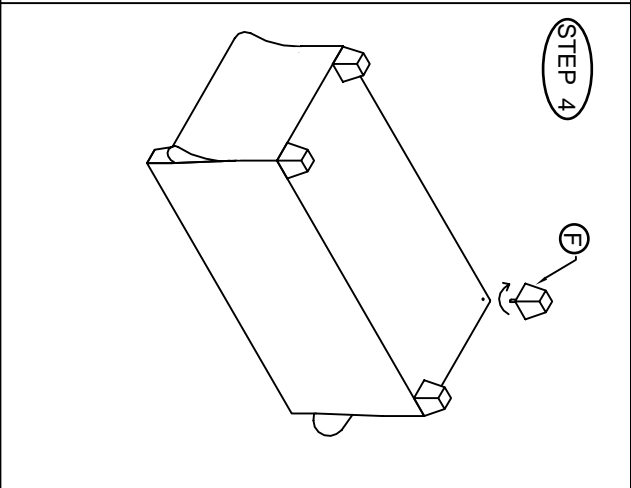
NO	DESCRIPTION	PART	QTY
A	SEAT		1PC
B	OUTSIDE BACK		1PC
C	CUSHION		2PCS
D	BACK PILLOW		2PCS
E	THROW PILLOW		2PCS
F	LEG		4PCS



**STEP 3**



**STEP 4**



**FINISH**