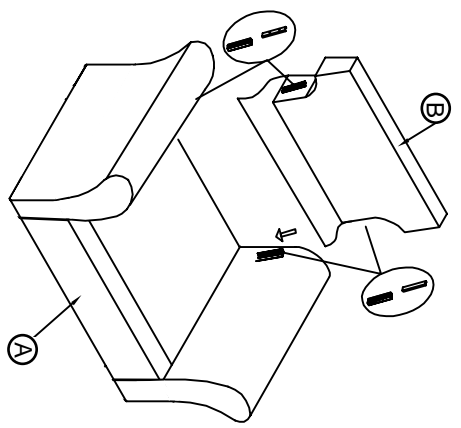


ITEM:951-C

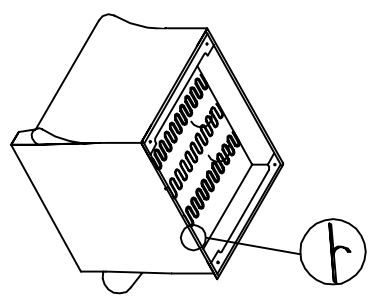
PARTS LIST

NO	DESCRIPTION	PART	QTY
A	SEAT		1PC
B	OUTSIDE BACK		1PC
C	CUSHION		1PC
D	BACK PILLOW		1PC
E	LEG		4PCS

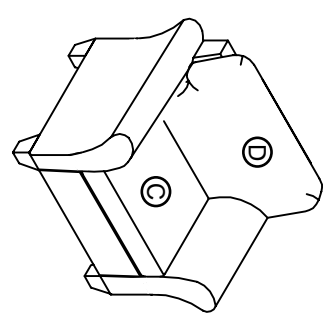
STEP 1



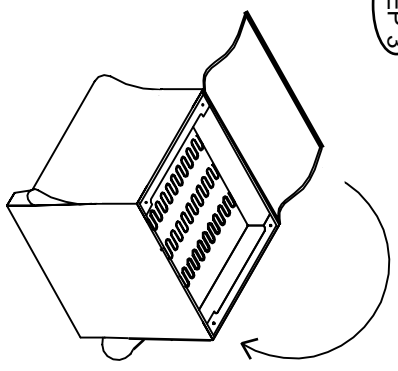
STEP 2



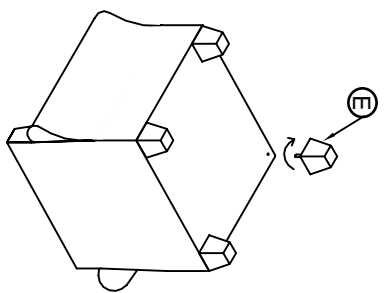
FINISH



STEP 3



STEP 4



*** LEGS & BACK INSIDE SEAT DECK ***