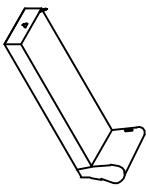
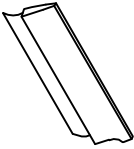
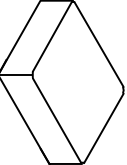


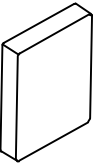
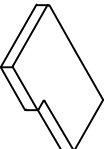



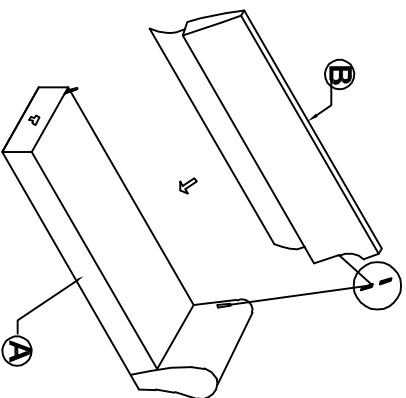


# ITEM : 4580-RAC

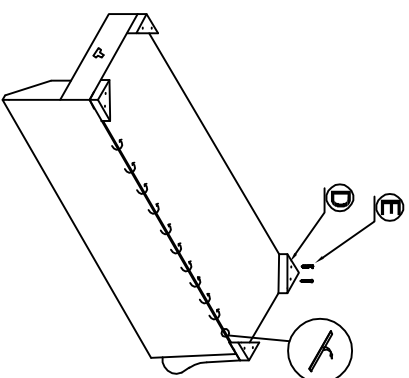
## PARTS LIST

NO	DESCRIPTION	PART	QTY
A	SEAT		1PC
B	BACK		1PC
C	OTTOMAN		1PC
D	LEGS		8PCS
E	BOLTS		16PCS
F	LEFT+CENTER CUSHION		2PCS
G	RIGHT CUSHION		1PC
H	RIGHT BACK PILLOW		1PC
I	CENTER BACK PILLOW		2PCS
J	THROW PILLOWS		2PCS

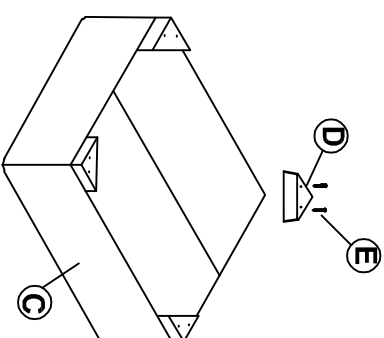
STEP 1



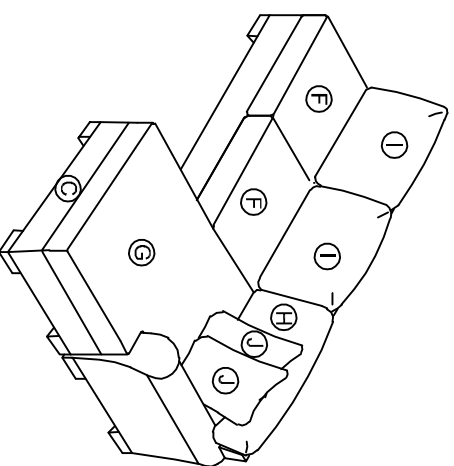
STEP 2



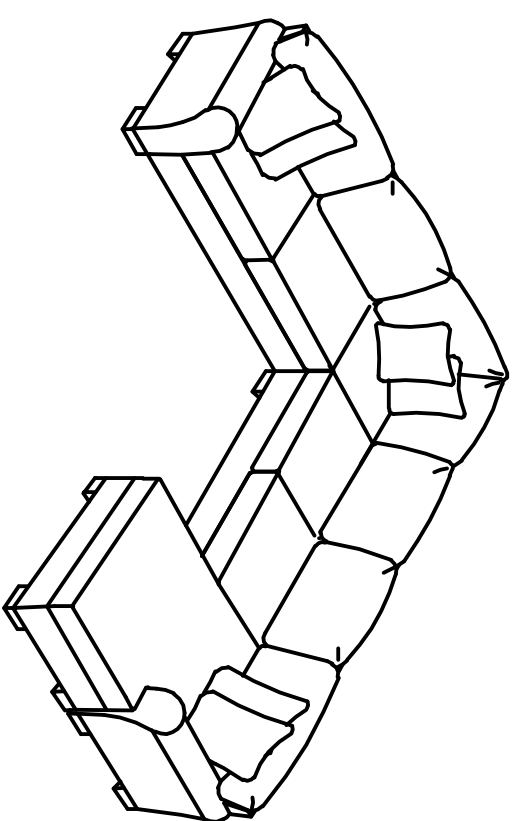
STEP 3



FINISH



ALL IN 1 SET

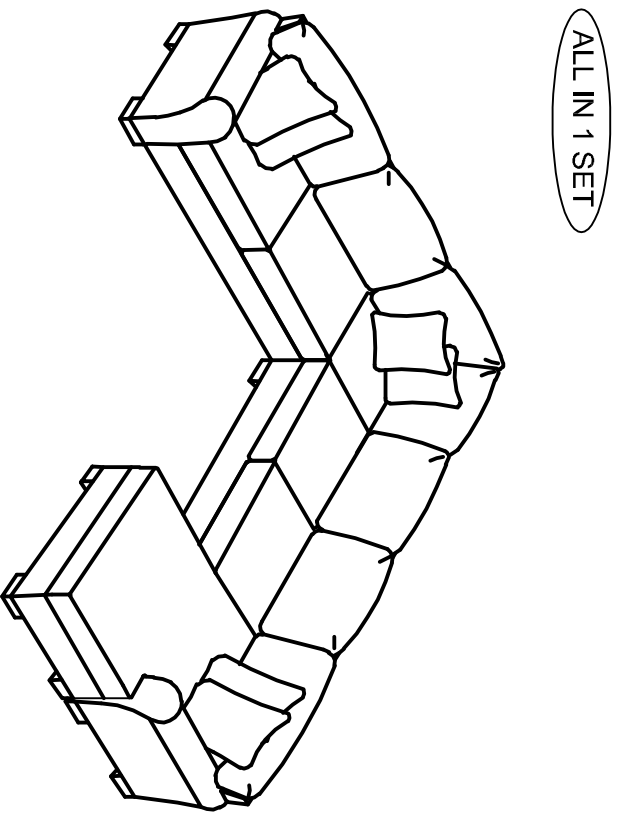
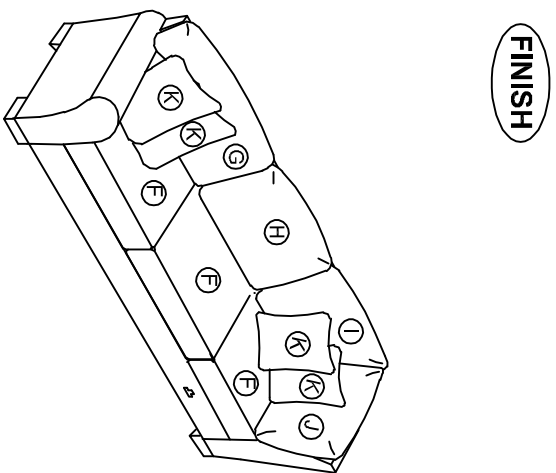
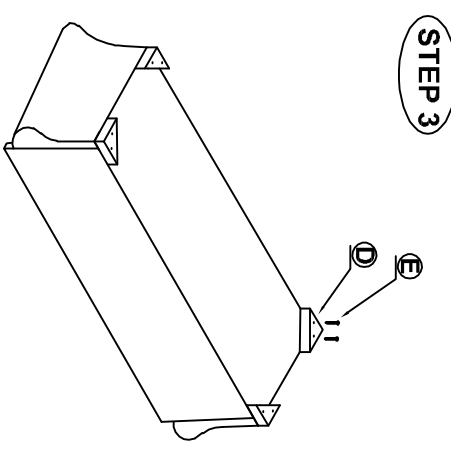
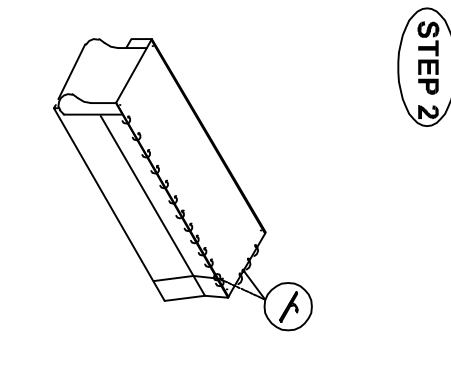
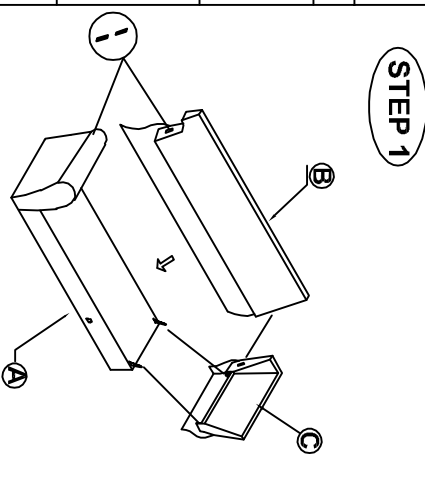


Please Check Underneath Seat Deck For Any Parts That May Be Inside

# ITEM : 4580-LAS

## PARTS LIST

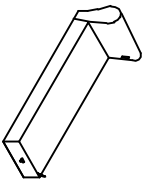
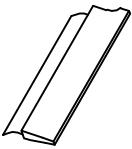
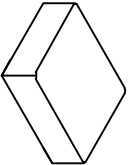

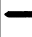
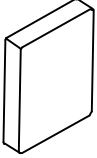
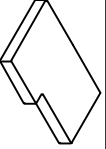


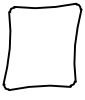
NO	DESCRIPTION	PART	QTY
A	SEAT		1PC
B	BACK		1PC
C	CORNER BACK		1PC
D	LEGS		4PCS
E	BOLTS		8PCS
F	CUSHIONS		3PCS
G	LEFT BACK PILLOW		1PC
H	CENTER BACK PILLOW		1PC
I	CORNER BACK PILLOW		1PC
J	CORNER BACK PILLOW		1PC
K	THROW PILLOWS		4PCS



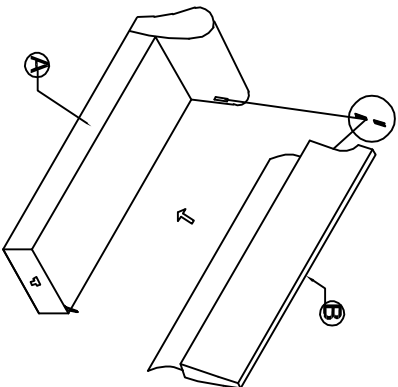
Please Check Underneath Seat Deck For Any Parts That May Be Inside

# ITEM : 7-4580-LAC

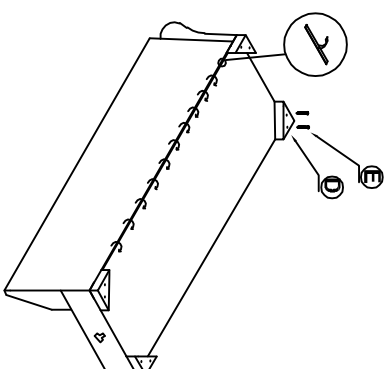
## PARTS LIST

NO	DESCRIPTION	PART	QTY
A	SEAT		1PC
B	BACK		1PC
C	OTTOMAN		1PC
D	LEGS		8PCS
E	BOLTS		16PCS
F	RIGHT+CENTER CUSHION		2PCS
G	LEFT CUSHION		1PC
H	LEFT BACK PILLOW		1PC
I	CENTER BACK PILLOW		2PCS
J	THROW PILLOWS		2PCS

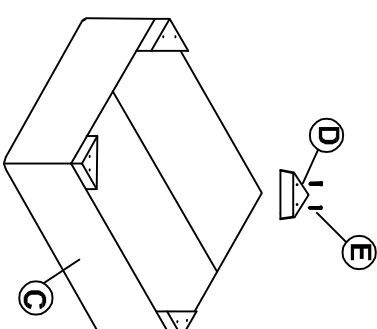
STEP 1



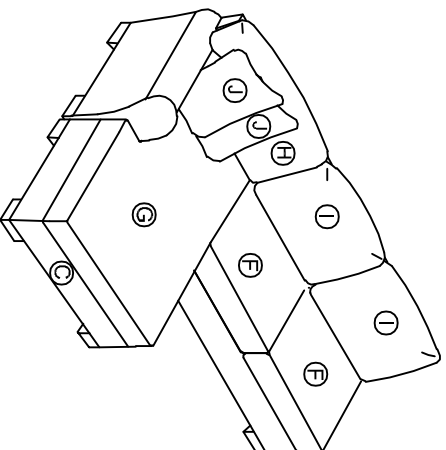
STEP 2



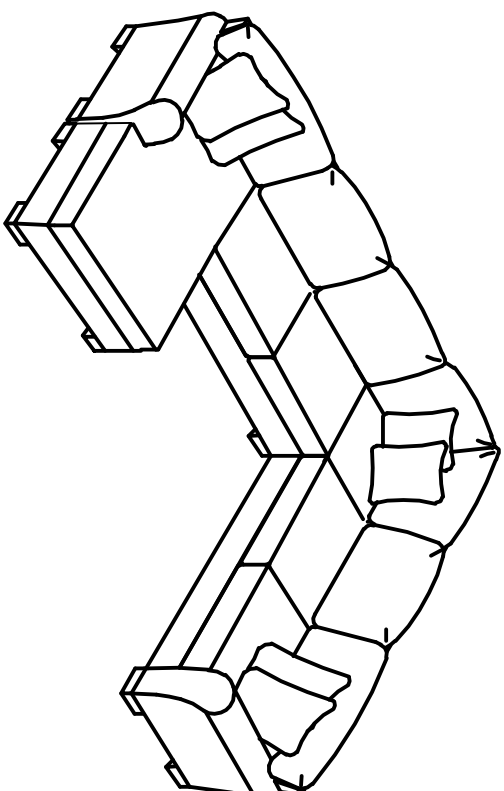
STEP 3



FINISH



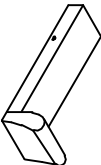
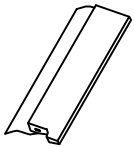



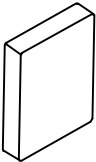




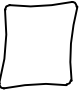
ALL IN 1 SET



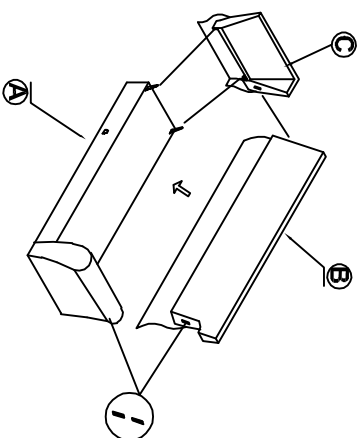
Please Check Underneath Seat Deck For Any Parts That May Be Inside

# ITEM : 7- 4580-RAS

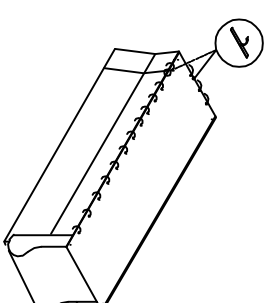
## PARTS LIST

NO	DESCRIPTION	PART	QTY
A	SEAT		1PC
B	BACK		1PC
C	CORNER BACK		1PC
D	LEGS		4PCS
E	BOLTS		8PCS
F	CUSHIONS		3PCS
G	RIGHT BACK PILLOW		1PC
H	CENTER BACK PILLOW		1PC
I	CORNER BACK PILLOW		1PC
J	CORNER BACK PILLOW		1PC
K	THROW PILLOWS		4PCS

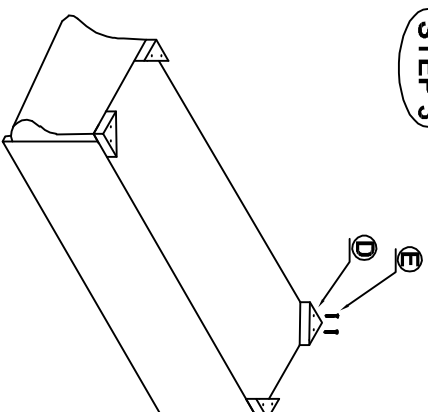
STEP 1



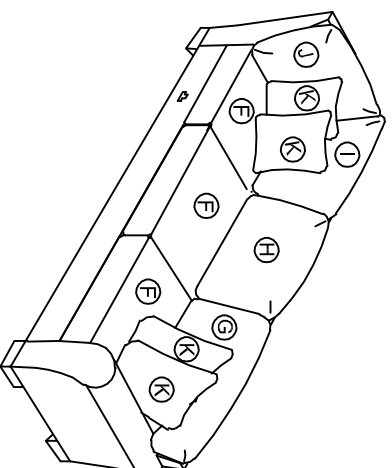
STEP 2



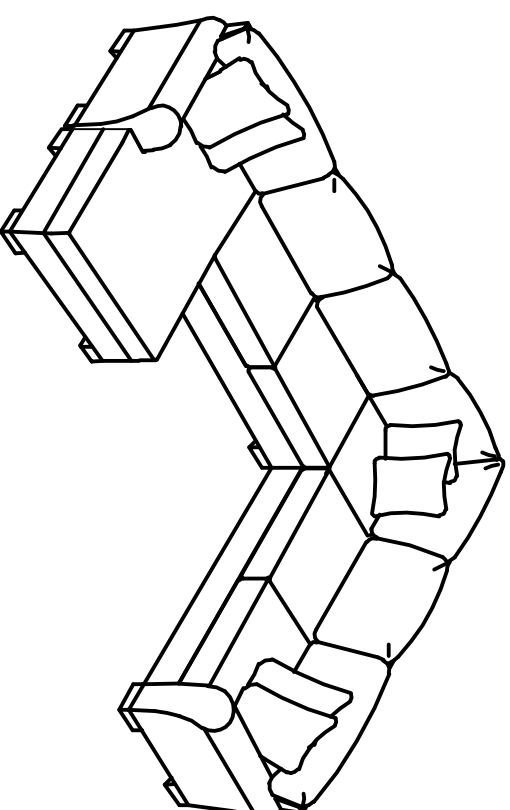
STEP 3



FINISH



ALL IN 1 SET



Please Check Underneath Seat Deck For Any Parts That May Be Inside